

Integrated Professional Cleaning



IPC Foma



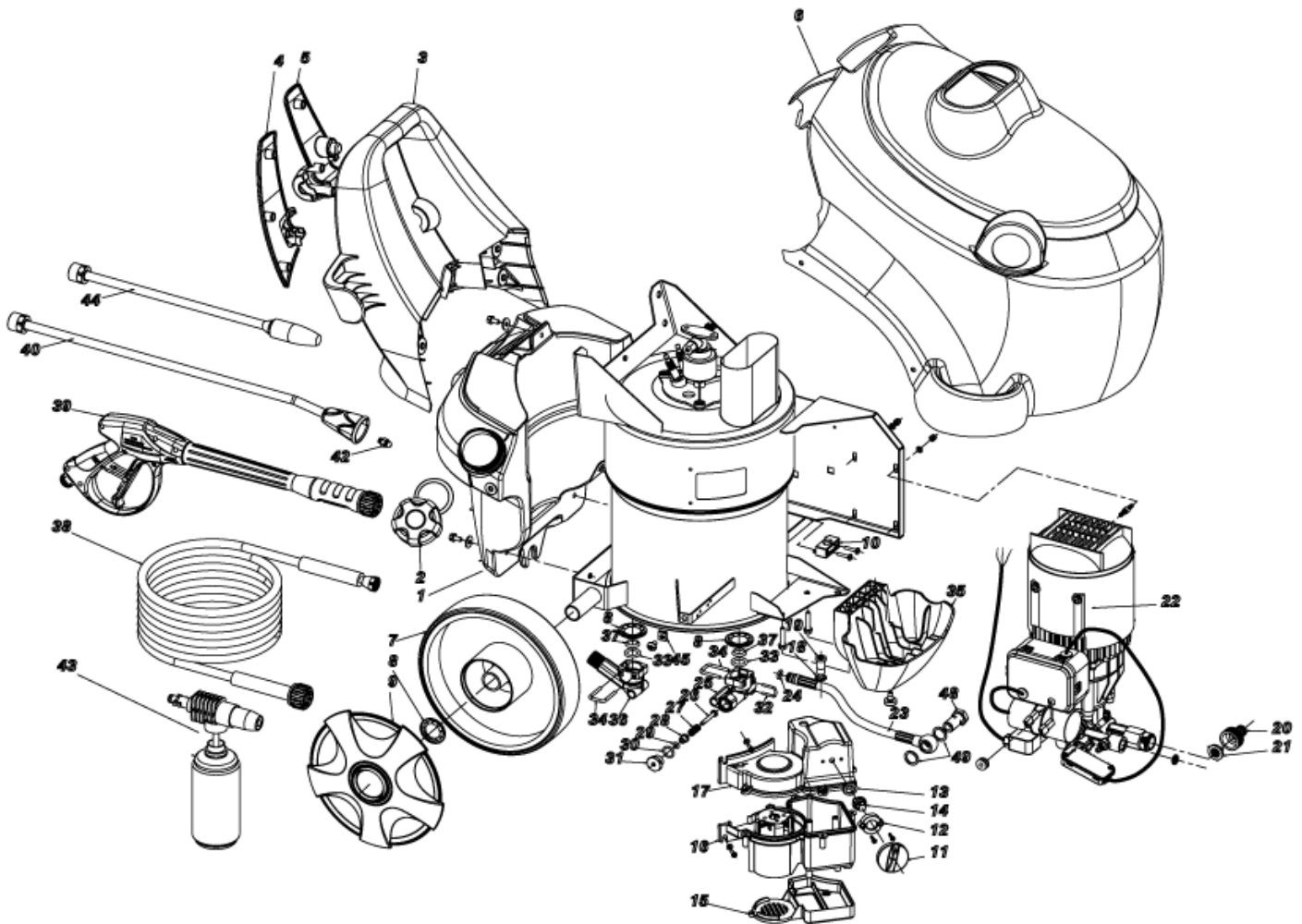
IPC Sverige

Spare Parts List

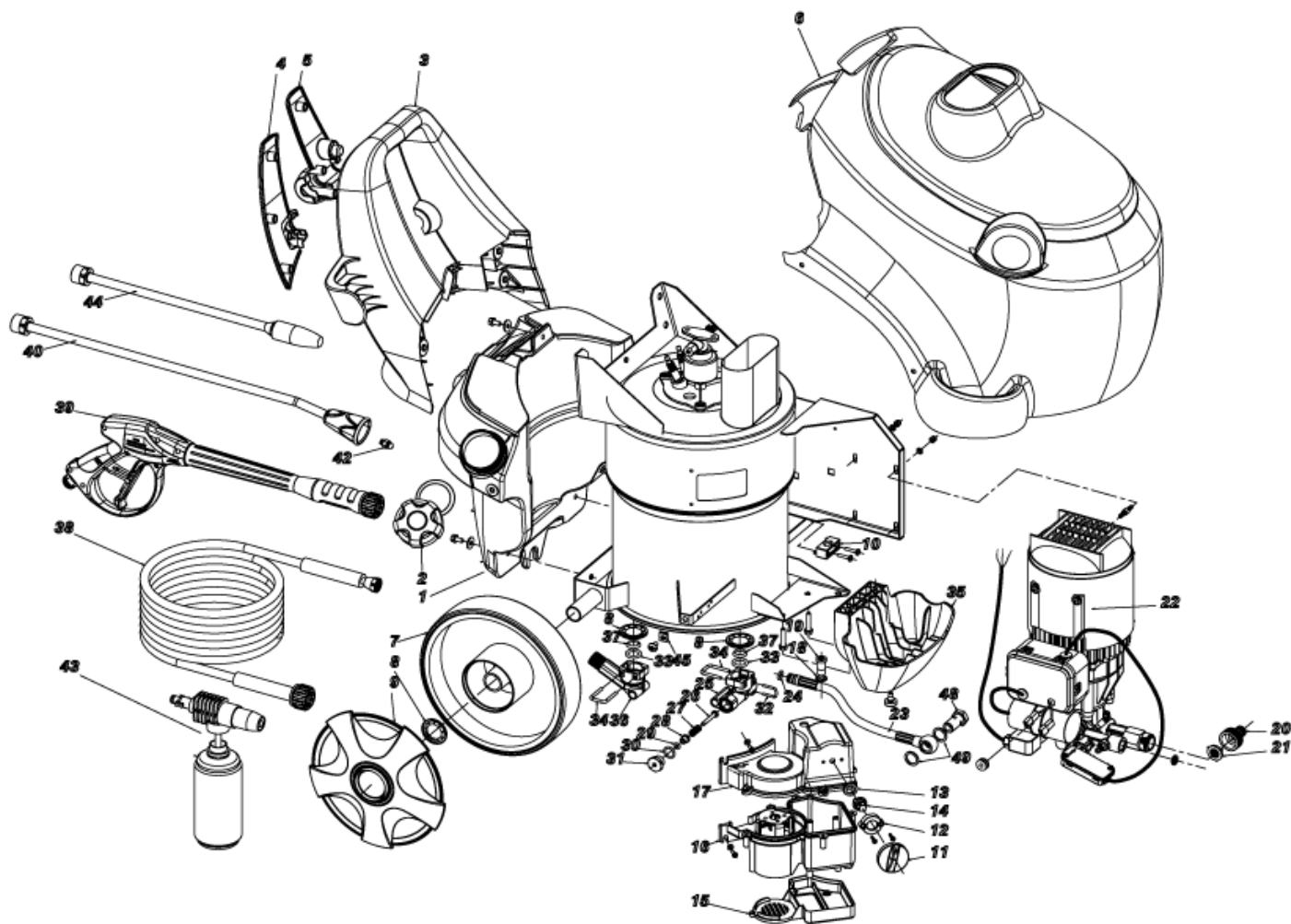
FOMA NORGE AS

Ref: IDAC40964

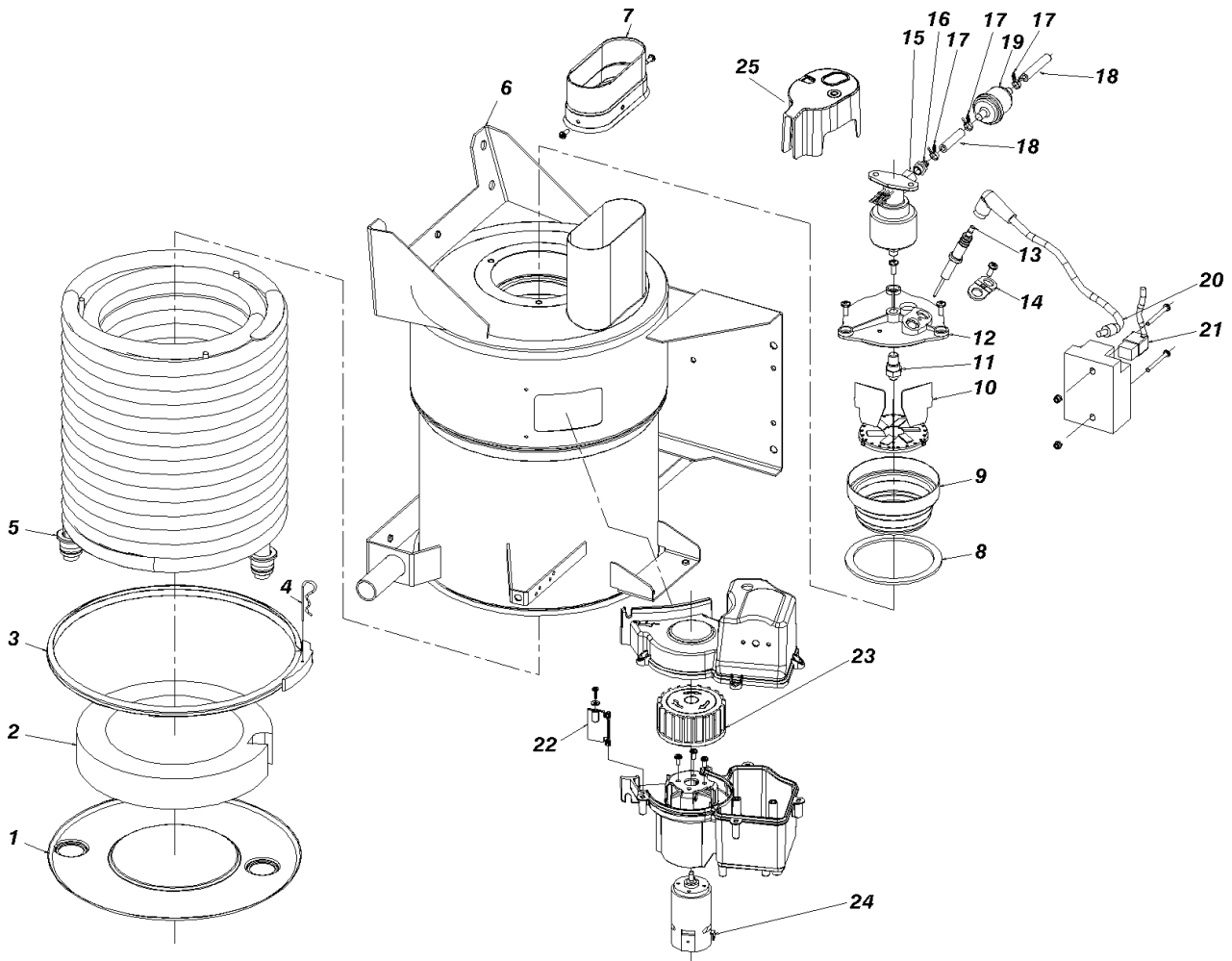
Model: IDROP PW-H10 I1408AA M 230/50 3-09IPN



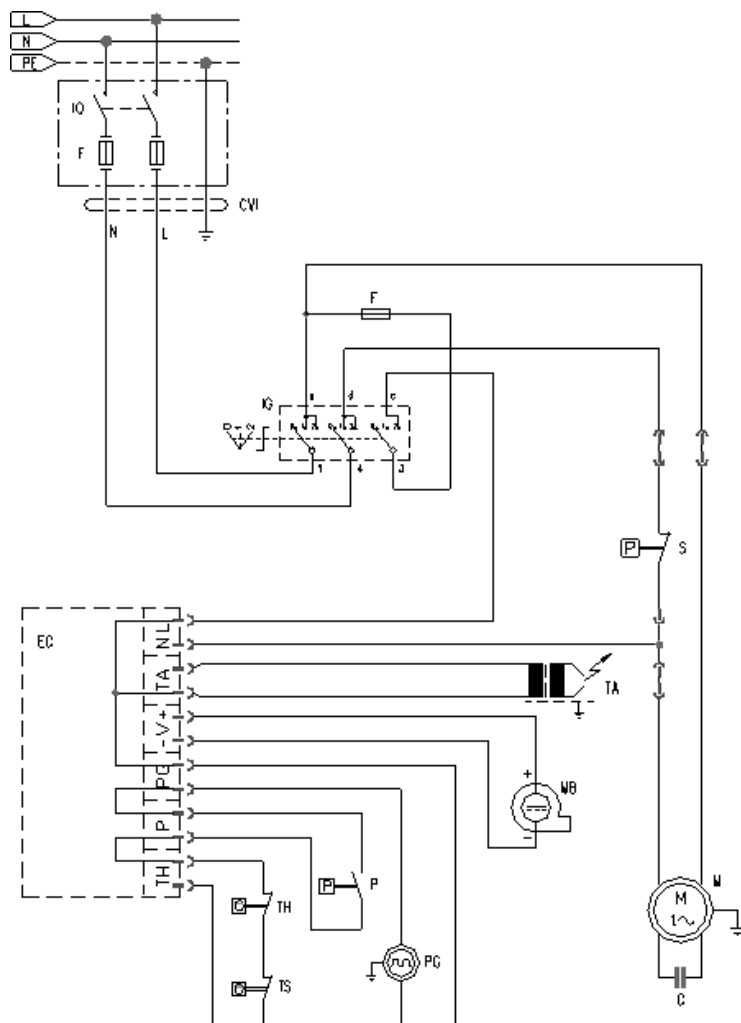
Ref.	K	Part N.	Customer Part N.	Description	Qty	Validity:		Price
						From	To	
0001		MPVR40059		FUEL TANK P191 PEHD-NT.	1,00			--
0002		MPVR49673		TANK CAP P215 PEHD	1,00			--
0003		MPVR87830		HANDLE P191 PPL BK.	1,00			--
0004		MPVR87746		HOSE WIND.SUPP.P191 DX PP	1,00			--
0005		MPVR87745		HOSE WIND.SUPP.P191 SX PP	1,00			--
0006		MPVR40282		GREEN COVER P191 PP GR.368C	1,00			--
0007		RTRT87839		WHEEL D.250-D.25X 53 RT-IPC	2,00			--
0008		VTRS09813		WASHER D.25	2,00			--
0009		MPVR40286		HUB CAP D. 250 RT/P191 GR.368C	2,00			--
0010		MEVR20906		CABLE FASTNER KSM	1,00			--
0011		MPVR87748		BLACK KNOB P191 PP	1,00			--
0012		MPVR87752		THICKNESS INT. P191 PP	1,00			--
0013		GUGO23079		V-SEAL RING VA0014 13.5- 15.5	1,00			--
0014		MPVR87751		TAIL PIECE P191 INT. UE. PP	1,00			--
0015		MPVR87754		CABLE CLAMP COVP191 PP	1,00			--
0016		MPVR87743		CONTROL BOX P191 PP BK.	1,00			--
0016		MPVR40410		CONTROL BOX P191 C/F. PP BK.	1,00			--
0017		MPVR87744		BOX COVER P191 PP BK.	1,00			--
0018		GUGO29603		O-RING D. 12 X 1.50 VIT 70SH	1,00			--
0019		MEVR27264		FUSE-HOLDER 031-1081	1,00			--
0020		RCVR29602		CONNECTOR D. 1/2"-5/8" PTC	1,00			--
0021		FTDT12702		FILTER PA	1,00			--
0022		PPEL40028		MOTOR-DRIV.PUMPHRM-A 8.14 DS 230/50 P191	1,00			--
0023		TBAP40064		TUBE 1/4 RACC L=380 R1 P191	1,00			--
0024		GUGO01060		O-RING D. 9.92 X 2.62 NBR 70SH	1,00			--
0025		MFVR49976		CONNECTOR P191 AL. INL.	1,00	05/2011		--
0026		RCDS87759		SMALL PISTON V.SC. P191 OT.	1,00	05/2011		--
0027		MLML87845		SPRING D. 7.8 X21 D.2.0 INX	1,00	05/2011		--
0028		MPVR87758		BUSHING V.SC. P191 POM	1,00	05/2011		--
0029		GUGO37529		O-RING D. 5.23 X 2.62 NBR 70SH	1,00	05/2011		--
0030		GUGO01054		O-RING D. 15.08 X 2.62 NBR 70SH	1,00	05/2011	05/2012	--
0030		GUGO25527		O-RING D. 14 X 3 NBR 70SH	1,00	05/2012		--
0031		RCDS87757		VALVE TAP P191 OT.	1,00	05/2011		--
0032		LAFN37625		PLUG "U" T-STOP PRM INX	1,00			--
0033		GUGO89301		O-RING D. 16 X 4 NBR 70SH	2,00			--
0034		LAFN87846		PLUG "U" P191 INX	2,00			--
0035		MPVR40304		FOOT P191-AR PP BK.	1,00			--
0036		MFVR49975		CONNECTOR P191 AL. OUT.	1,00			--
0037		GUVR21021		ANTI-EXTR.RING D. 21 X17 TEF.	2,00			--



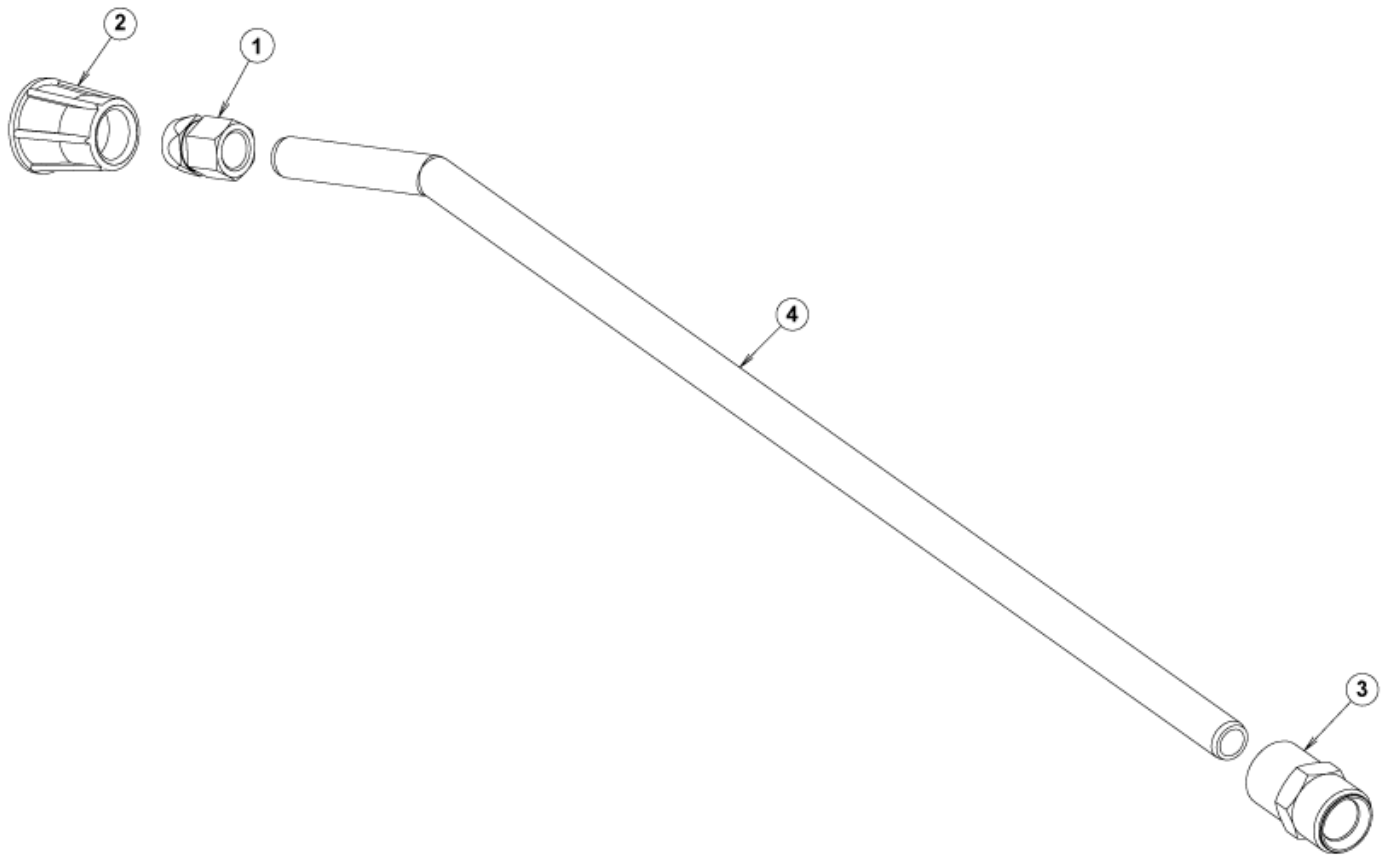
Ref. K	Part N.	Customer Part N.	Description	Qty	Validity:		Price
					From	To	
0038	TBAP28305		H.P. HOSE SAE MT 8 D.6 IRV F-F KSM	1,00			--
0039	IPPR40017		GRIP MV 2009+P.330 +M22 M	1,00			--
0040	LCPR40037		EXTENSION P 50 M22 M -1/4F ZC.	1,00			--
0042	UGLN75421		LANCE NOZZLE LECH 1/4 15025	1,00			--
0043	LCPR40038		FOAM DEVICE SURF M 22M	1,00			--
0044	LCPR40011		LANCE TURBO TTR-16+SF230 D.1,15	1,00			--
0045	VTVR28636		PLATE M 6 ZNC.	2,00			--
0047	RCVR29600		SOCKET PTC 3/4 F	1,00			--
0048	RCDS40002		SCREW G 3/8 L=32.5	1,00			--
0049	VTRS00548		WASHER D.17,5X23X1,5 (3/8)RM	2,00			--
0050	MEVR27264		FUSE-HOLDER 031-1081	1,00			--



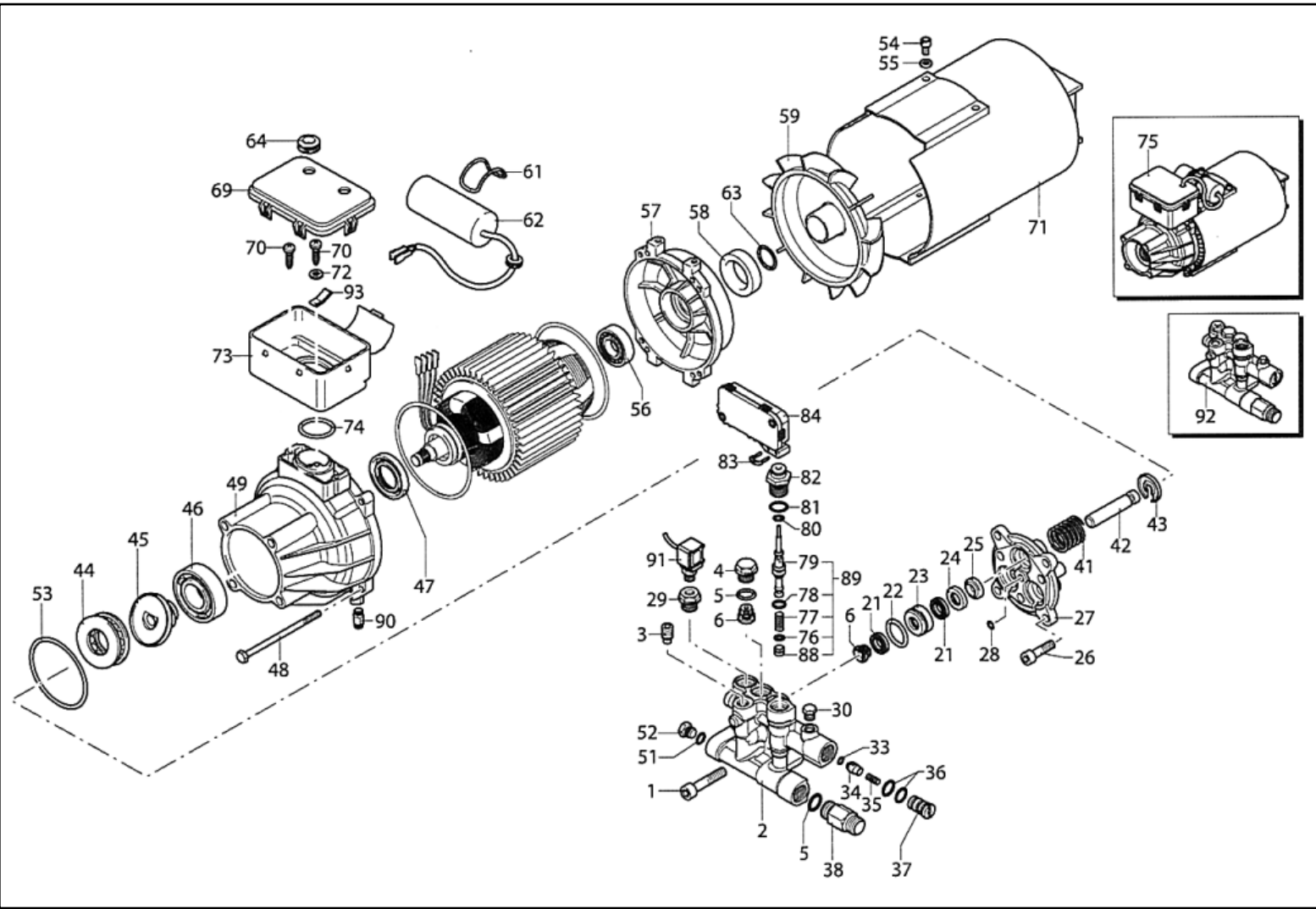
Ref.	K	Part N.	Customer Part N.	Description	Qty	Validity:		Price
						From	To	
0001		LAFN87769		BOILER BOTTOM P191	1,00			--
0002		ITTE40002		BOTTOM MTH C.TE	1,00			--
0003		LAFN27418		RING D.278 MTH	1,00			--
0004		VTVR47052		SPLIT PIN "R" D.2 X 43 ZC	1,00			--
0005		LAGR89128		DOUBLE COIL P191 TD 13.5MT SP.2 GRZ	1,00			--
0006		LAFN40405		BOILER BODY P191-AR	1,00			--
0008		GUVR25775		GASKET D. 105/88 X 3	1,00			--
0009		LAFN20055		NOSEPIECE KSM	1,00			--
0010		LAFN20120		BAFFLE MTH	1,00			--
0011		UGBR28863		BURNER NOZZLE 0.50 60 S	1,00			--
0012		MFVR19964		ELECTR.HOLDER KSM	1,00		10/2004	--
0012		MFVR88612		ELECTR.HOLDER KSM 1/8CN.	1,00	10/2004		--
0013		MECA18232		ELECTRODE L=101.5 KSM	2,00			--
0014		LAFN20123		PLATE KSM INX	1,00			--
0015		PPGS89286		FUEL PUMP VSC63 A5H 220V 0.50GH SD	1,00	06/2005		--
0016		RCDS21900		HOSE FITTING 1/8 M D. 3- 7	1,00			--
0017		FSVR72803		CLAMP D 9.3 - 9.9	2,00			--
0017		FSVR72800		CLAMP D 8.3 - 8.8	1,00			--
0017		FSVR72803		CLAMP D 9.3 - 9.9	1,00			--
0018		TBBP48098		TUBE PVC D. 5 -9 GREEN	0,15	04/2014		--
0018		TBBP72695		TUBE PVC D. 5 -9 RED	0,29		10/2010	--
0018		TBBP48098		TUBE PVC D. 5 -9 GREEN	0,30	04/2014		--
0018		TBBP72695		TUBE PVC D. 5 -9 RED	0,29		10/2010	--
0019		FTCO10912		FILTER FB 13/TA NYL.	1,00			--
0020		MECV87765		CABLE A.T. 22KOHM/M L= 340 P.	2,00			--
0021		MECB87766		CABLE BT L=800 SP.	1,00			--
0022		MPVR87753		BUTTERFLY VALVE P191 PP	1,00			--
0023		VEVR87749		IMPELLER P191 D. 75 20P. PA6	1,00			--
0024		MOMB87803		BURNER MOTOR MP43,5 230-50	1,00			--
0025		MPVR88317		SHELL P.GAS. TAIS PP BK.	1,00			--



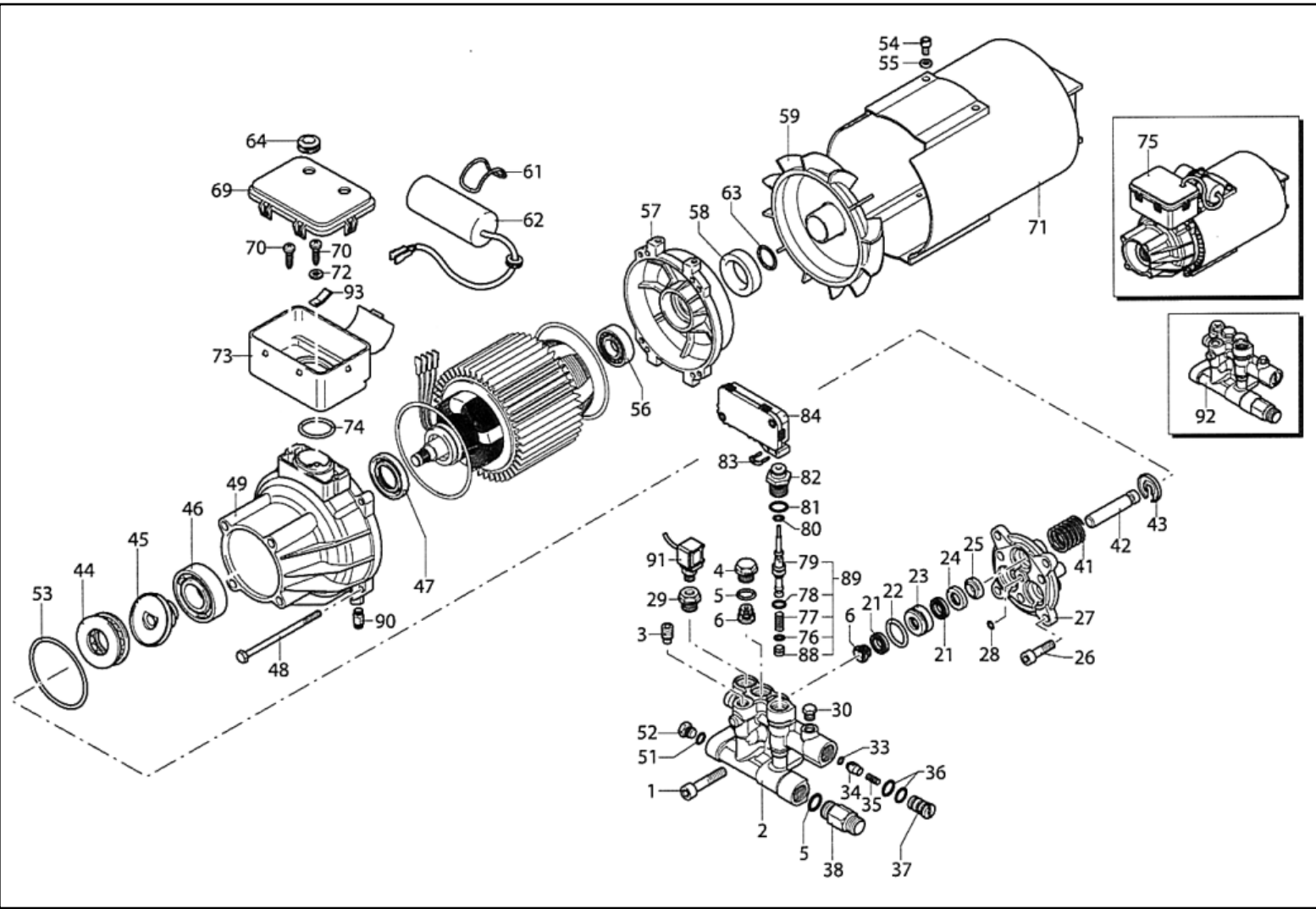
Ref.	K	Part N.	Customer Part N.	Description	Qty	Validity:		Price
						From	To	
F		MEVR07043		FUSE 5X20 2A T	1,00			--
EC		MECE87755		PCB P191 T-ST. 230V 5/60HZ	1,00			--
IG		MECI87801		COMMUTAT.SWITCH0-1-2 16(8)A S.4RH	1,00			--
TA		METR87767		TRANSFORMER 22/240V-5/60HZ 2X14KV EL.	1,00			--
CV1		MECB27734		CABLE H07 RNF 3X1.5 L=6.500	1,00			--
TH-S		METK40008		KLIKSON ITP-1NT 60°C NC AM+L.800	2,00			--



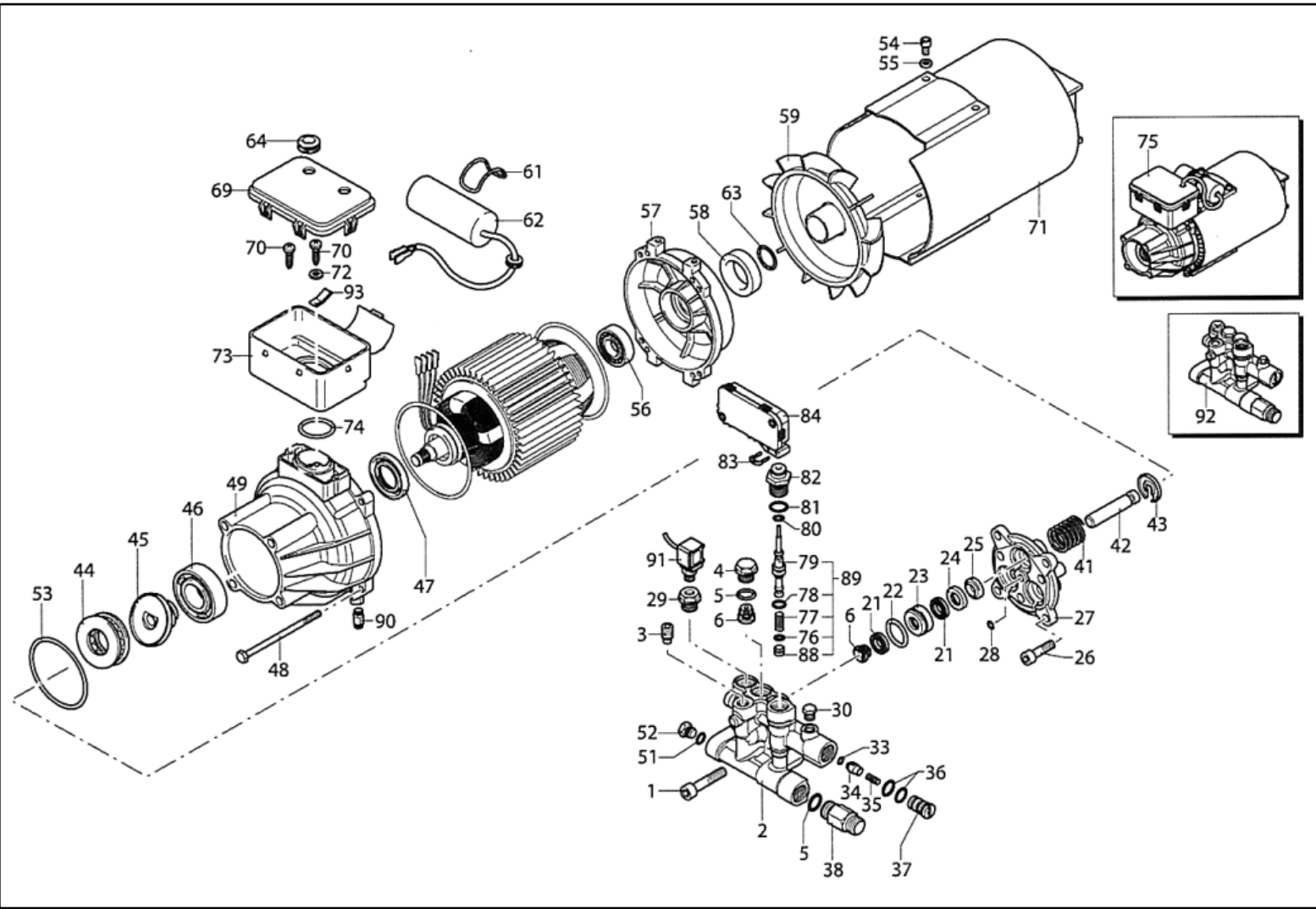
Ref. K	Part N.	Customer Part N.	Description	Qty	Validity:		Price
					From	To	
0001	RCVR46787		NOZZLE HOLDER 1/4-1/4 F MV	1,00			--
0002	PVVR40449		PROTECTION L.S. MV113	1,00			--
0003	RCIN40036		MALE COUPLING 1/4F -M22 L.25	1,00			--
0004	LCPR40119		TUBE 1/4 L=500 ZC. 20°	1,00			--



Ref.	K	Part N.	Customer Part N.	Description	Qty	Validity:		Price
						From	To	
0001		VTVT28306		SCREW TCEI 8X45 UNI5931	3,00			--
0002		MFVR40057		HEAD AR C23 AL.	1,00			--
0003		PVVR40086		CAP EI G 1/4 HRM	1,00			--
0004		PVVR40087		CAP AR HRM	2,00			--
0005	S	GUGO09720		O-RING D. 14 X 1.78 NBR 70SH	5,00			--
0006	S	VVAM40001		VALVE UNIT HRM	6,00			--
0021	S	GUVR40030		PACKING D. 12 HRM	6,00			--
0022	S	GUGO08182		O-RING D. 21.91 X 1.78 NBR 70SH	3,00			--
0023		PVVR40088		PACKING RETAIN.D. 12 HRM	3,00			--
0024		PVVR40089		INTERMED. RING D. 12 HRM	3,00			--
0025	S	GUGO40010		OIL SEAL D. 12 HRM	3,00			--
0026		VTVT01573		SCREW TCEI 8X25 UNI5931	4,00			--
0027		PVVR40090		PISTON FLANGE HRM	1,00			--
0028	S	GUGO03500		O-RING D. 6.75 X 1.78 NBR 70SH	1,00			--
0029		PVVR40413		CAP AR HRM + FORO 1/8G	1,00			--
0030		RCDS19214		CAP 1/8 M	1,00			--
0033	S	GUGO12494		O-RING D. 4 X 2.5 -NBR 70SH	1,00			--
0034		PVVR40091		COUPLING AR HRM	1,00			--
0035		MLML32257		SPRING D. 6.5 X14 D.0.5	1,00			--
0036	S	GUGO63403		O-RING D. 8.73 X 1.78 NBR 70SH	2,00			--
0037		PVVR40359		INJECTOR G151	1,00			--
0038		PVVR40414		CONNECTOR AR HRM	1,00			--
0041		MLML40010		SPRING AR HRM	3,00			--
0042	S	PIVR40014		PISTON D.12 HRM	3,00			--
0043		PVVR40093		RING D.12 HRM	3,00			--
0044		CUVR40006		BEARING AR HRM	1,00			--
0045		PVVR40415		CAP HRM 10.5°	1,00			--
0046		CUVR28336		BALL BEARING 6304	1,00			--
0047		GUVR40082		PACKING OIL HRM	1,00			--
0048		VTVT40050		SCREW TE M 5X110	4,00			--
0049		MFVR40016		PUMP CRANKCASE AR HRM	1,00			--
0051	S	GUGO01036		O-RING D. 10.82 X 1.78 NBR 70SH	1,00			--
0052		PVVR40129		CAP 1/4 M RC	1,00			--
0053		GUGO02261		O-RING D. 71.12 X 2.62 NBR 70SH	1,00			--
0054		VTVT01113		SCREW TCEI 5X16 UNI5931	2,00			--
0055		VTRS00502		WASHER D. 5 0.466 UNI 6592	2,00			--
0056		CUVR40007		BALL BEARING 6203 2Z	1,00			--
0057		MFVR40017		SHIELD H 80 HRM AR	1,00			--
0058		GUGO40011		OIL SEAL HRM	1,00			--



Ref.	K	Part N.	Customer Part N.	Description	Qty	Validity:		Price
						From	To	
0059		VEVR40004		MOTOR FAN AR HRM	1,00			--
0061		GUGO09674		O-RING D. 48.90 X 2.62 NBR 70SH	1,00			--
0062		MECO40017		CAPACITOR 45 MF	1,00			--
0063		GUGO11652		O-RING D. 12.42 X 1.78 NBR 70SH	1,00			--
0064		MEVR40128		FAIR-LEAD AR	1,00			--
0069		MPVR40168		BOX COVER AR HRM	1,00			--
0070		VTVT67356		SCREW M 4X 12 TCB TC TRIL.	3,00			--
0071		MPVR40639		CONVEYOR AR HRM	1,00			--
0072		VTRS00501		WASHER D. 4 0.232 UNI 6592	1,00			--
0073		MPVR40640		CONTROL BOX AR HRM-O	1,00			--
0074		GUGO31518		O-RING D. 31.42 X 2.62 NBR 70SH	1,00			--
0075		MOMO40052		1PH MOTOR HRM HP 2.4 230-50	1,00			--
0076		GUGO06988		O-RING D. 7.66 X 1.78 NBR 70SH	1,00			--
0077		MLML40011		SPRING D. 8 TSS	1,00			--
0078		GUGO01036		O-RING D. 10.82 X 1.78 NBR 70SH	1,00			--
0079		PVVR40096		PISTON BOLT AR TSS	1,00			--
0080	S	GUGO01062		O-RING D. 3.69 X 1.78 NBR 70SH	1,00			--
0081	S	GUGO09720		O-RING D. 14 X 1.78 NBR 70SH	1,00			--
0082		PVVR40097		PISTON GUIDE AR TSS	1,00			--
0083		LAFN40212		PLUG "U" AR TSS	1,00			--
0084		MEPF40005		PRESSURE SWITCHAR TSS 220V N.A.	1,00			--
0088		PVVR40151		PISTON SEAT AR TSS	1,00			--
0089		KTRI40233		KIT P 15-511 PISTON+SPRING TST	1,00			--
0090		PVVR40416		COLUMN AR	4,00			--
0091		MEPF40026		PRESSURE SWITCHAR	1,00			--
0093		MEVR40129		CONNECTOR AR	1,00			--



Ref.	Part N.	Cust. Part N.	Description	Reference	Price
C	KTRI40081		KIT P 15-42124 HRM	0025	--
A	KTRI40079		KIT P 15-2233 HRM	0006	--
B	KTRI40289		KIT P 15-2313 HRM	0042	--
E	KTRI40082		KIT P 15-2235 HRM D.12	0021	--
F	KTRI40290		KIT P 15-42150 O-RING	0005 0022 0028 0033 0036 0051 0080 0081	--