

**Integrated Professional Cleaning**



**IPC Foma**



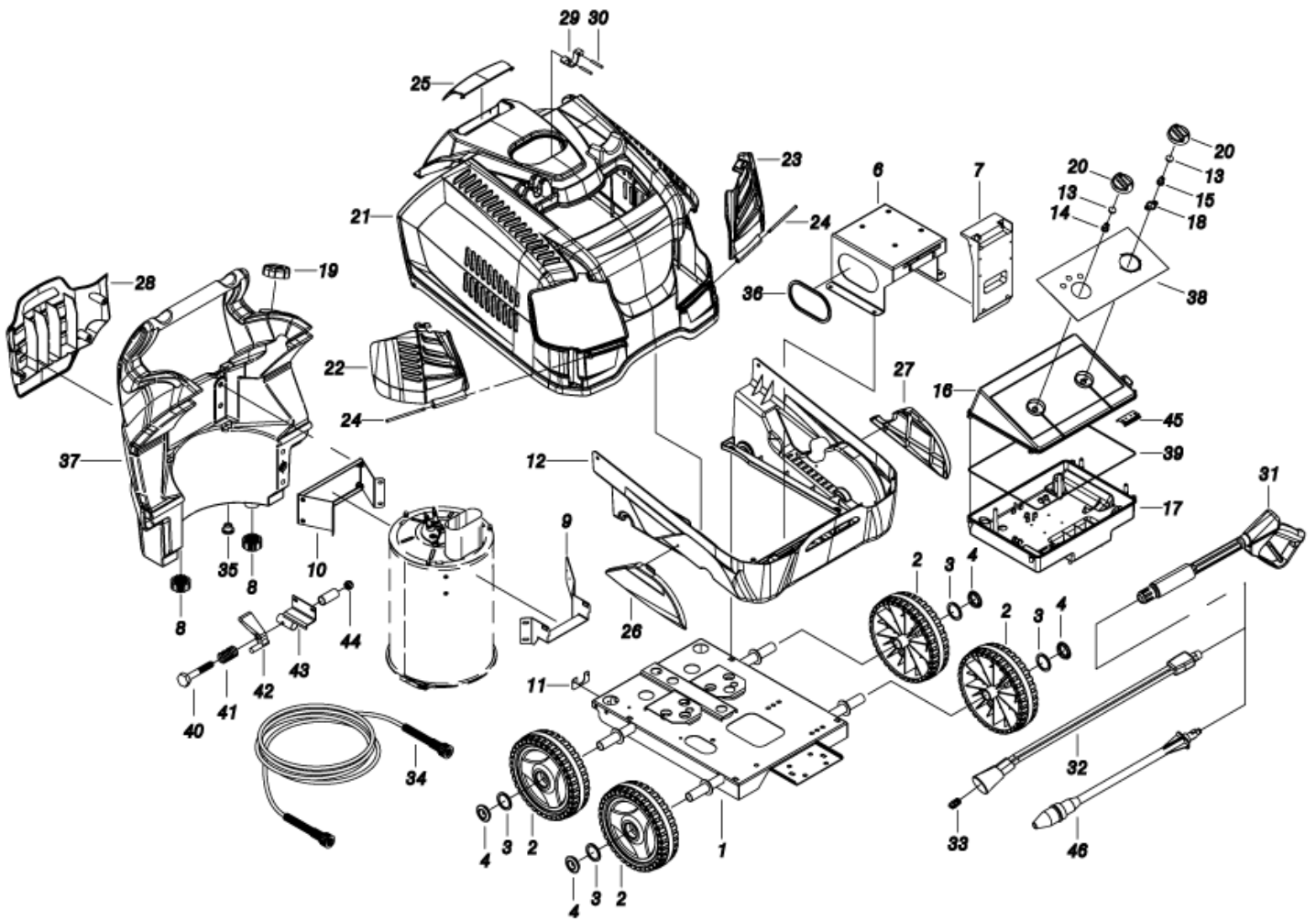
**IPC Sverige**

## Spare Parts List

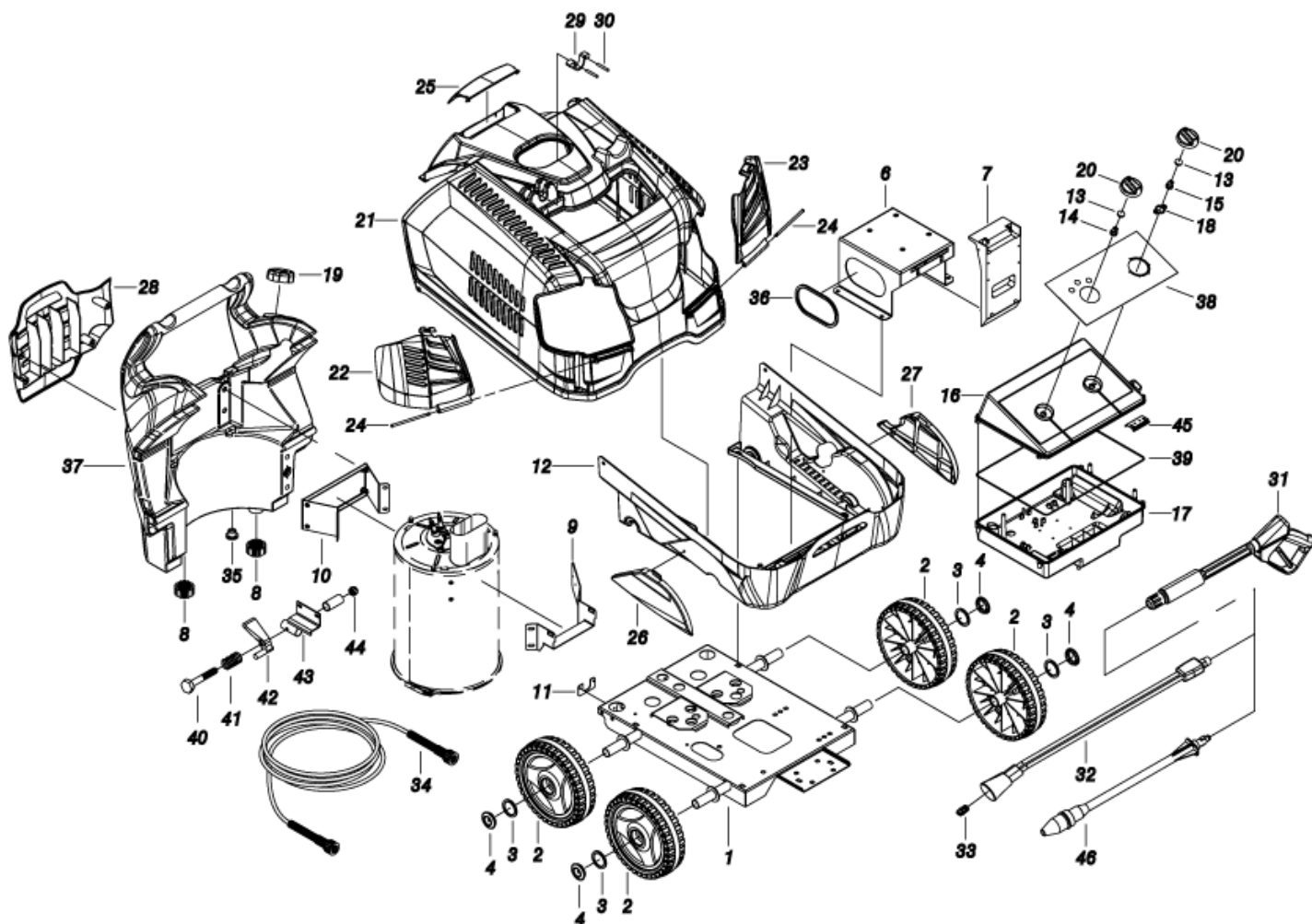
FOMA NORGE AS

Ref: IDAC40813

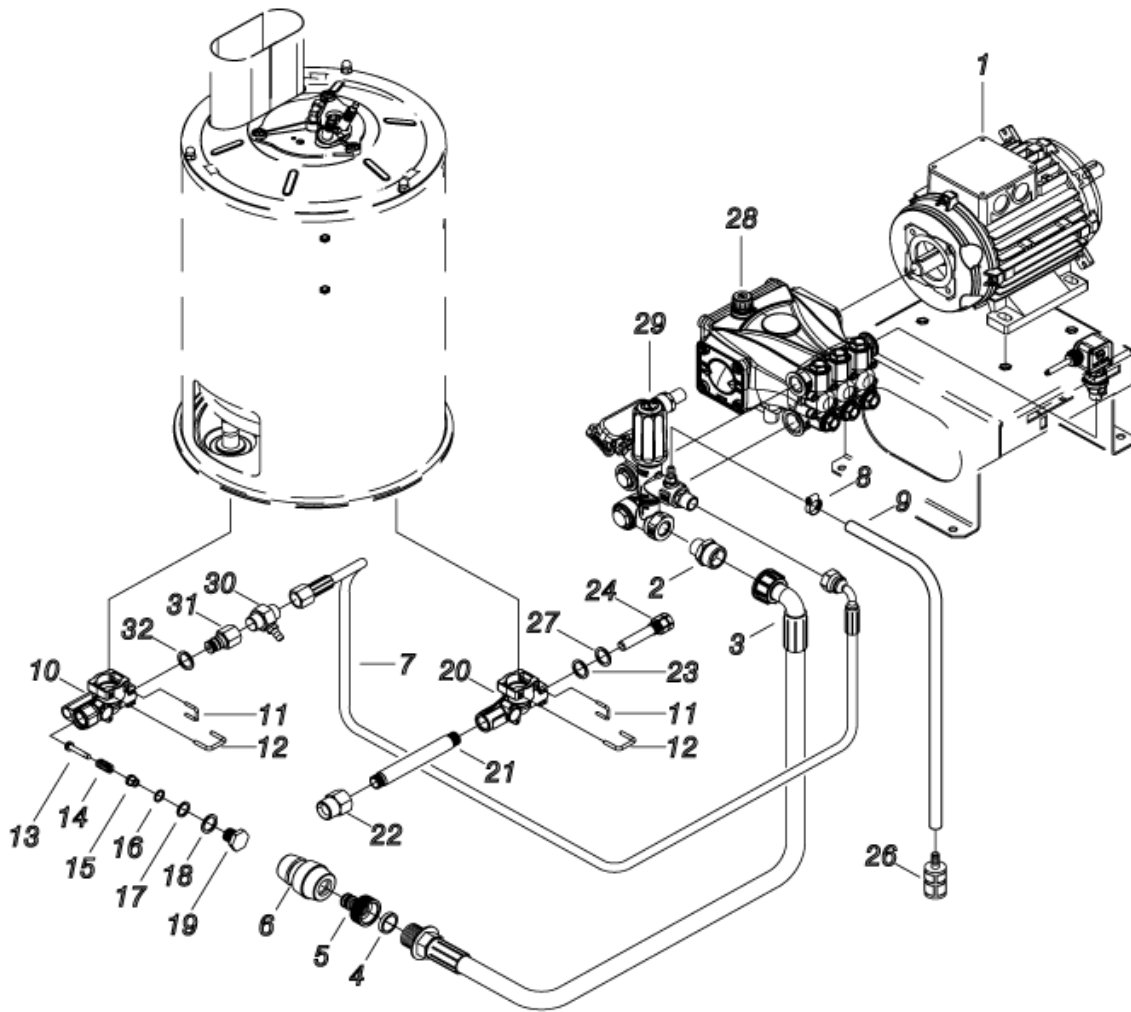
Model: IDROP PW-H28/4 D1309Pm M 230/50 3-09IPC



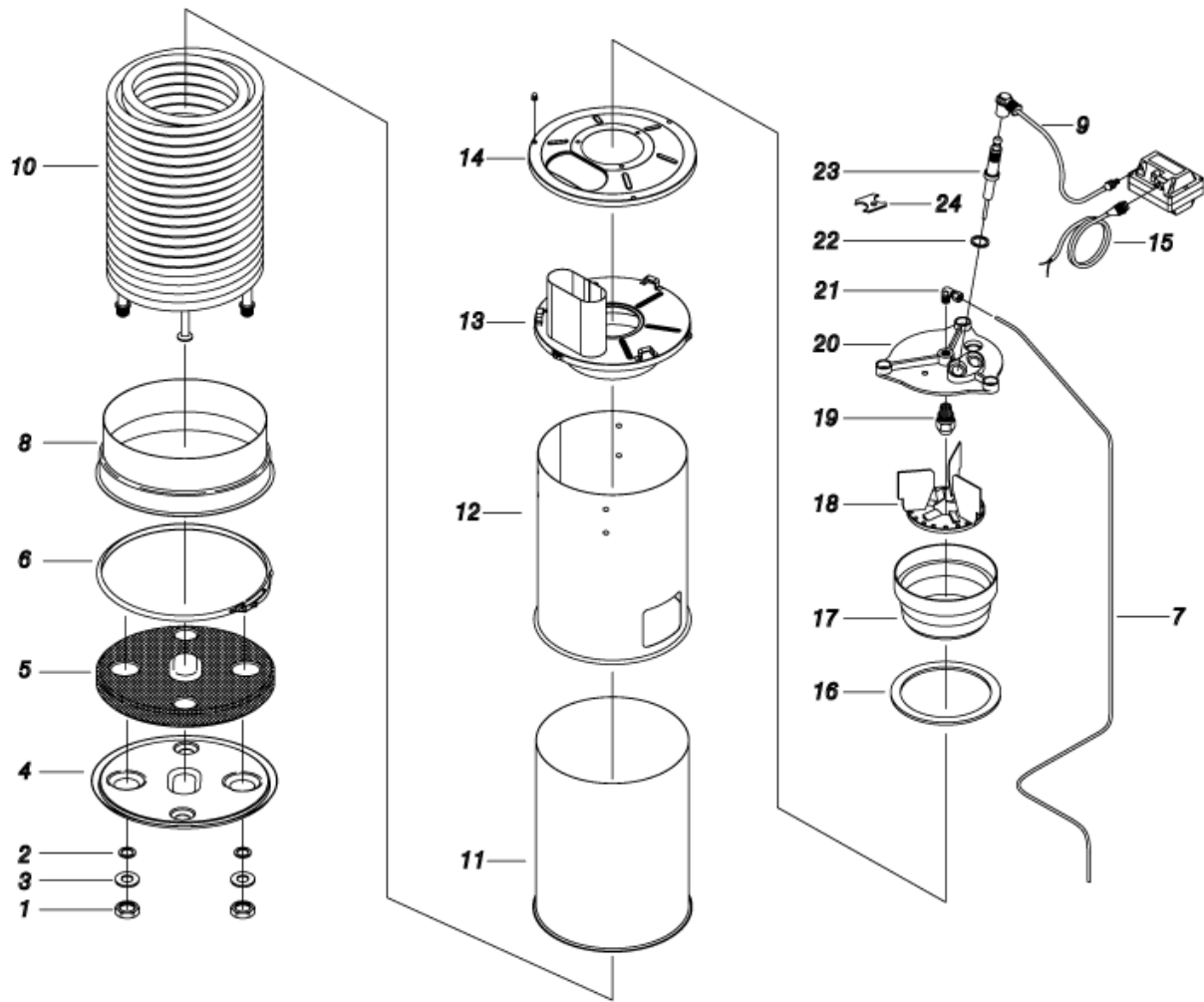
Ref.	K	Part N.	Customer Part N.	Description	Qty	Validity:		Price
						From	To	
0001		LAFN40712		CHASSIS PW-H28/4W BK.	1,00			--
0002		RTRT40041		WHEEL D.250-D.25X 65 RES BK.	4,00		09/2015	--
0002		RTRT40043		WHEEL D.250-D.25X 65 RES BK/GRN	4,00	09/2015		--
0003		VTRS09813		WASHER D.25	4,00			--
0004		MPVR40734		HUB CAP D.50 G-48/IPC GR.368C	4,00			--
0006		LAFN40709		MOTOR SUPPORT PW-H28 2.5HP ZC.	1,00			--
0007		MPVR33534		BOX SUPPORT MST PA 66	1,00			--
0008		MPVR20187		RING NUT M 39 X 3	2,00			--
0009		LAFN40705		SUPPORT PW-H28 MPU ZC.	1,00			--
0010		LAFN40706		BRACKET PW-H28 MPU ZC	1,00			--
0011		LAFN40707		BRACKET PW-H28 ZC	1,00			--
0012		MPVR40685		BLACK COVER PW-H28 INF.PP	1,00			--
0013		GUGO25527		O-RING D. 14 X 3 NBR 70SH	2,00			--
0014		MPVR23482		TAIL PIECE TEC. TUV	1,00			--
0015		MPVR23484		TAIL PIECE THERM.KSM TUV	1,00			--
0016		MPVR40689		BOX COVER PW-H28 ABS BK.	1,00			--
0017		MPVR40690		CONTROL BOX PW-H28 ABS BK.	1,00			--
0018		MPVR41903		THICKNESS TERM.IM.PA66	1,00			--
0019		MPVR40187		TANK CAP P215 PEHD C/F.	1,00			--
0020		MPVR49057		BLACK KNOB P176-M.RACE PA6	2,00			--
0021		MPVR40678		GREEN COVER PW-H28 SUP.PP GR.368C	1,00			--
0022		MPVR40680		DOOR PW-H28 DX PPL V.368C	1,00			--
0023		MPVR40682		DOOR PW-H28 SX PPL V.368C	1,00			--
0024		MPVR40692		PIN PW-H28 PP V.368C	2,00			--
0025		MPVR40684		DOOR PW-H28 PPL V.368C Pst	1,00			--
0028		MPVR40688		TOOL HOLDER PW-H28 PP BK.	1,00			--
0029		MPVR40485		RUBBER PW-H35 15-20BK.	1,00			--
0030		MPVR40534		PIN PW-H35 PP BK.	2,00			--
0031		IPPR40010		GRIP G 5100+P.330 +M22 SW.M V	1,00			--
0032		LCPR12983		DOUBLE EXTENS. PD 70	1,00			--
0033		UGLN49985		NOZZLE LECH 1/4 1503	2,00			--
0034		TBAP44379		H.P. HOSE R1 MT 20 5/16" C/2 IRV ZC	1,00			--
0035		RCVR40146		CAP 3/8 M OT.NIK EI 8 +OR	1,00			--
0036		GUVR13437		EDGE H=10	0,40			--
0037		MPVR40676		TANK PW-H28 PE BK.	1,00			--
0038		ETET40724		LABEL PW-H28 PLC	1,00			--
0039		GUGO33675		JOINT MOUSSE D. 4	1,30			--
0040		VTVT14480		SCREW TE M 8X80 ZINC. UNI	1,00			--
0041		MLML11917		SPRING D. 14.5 X24 X2.2	1,00			--



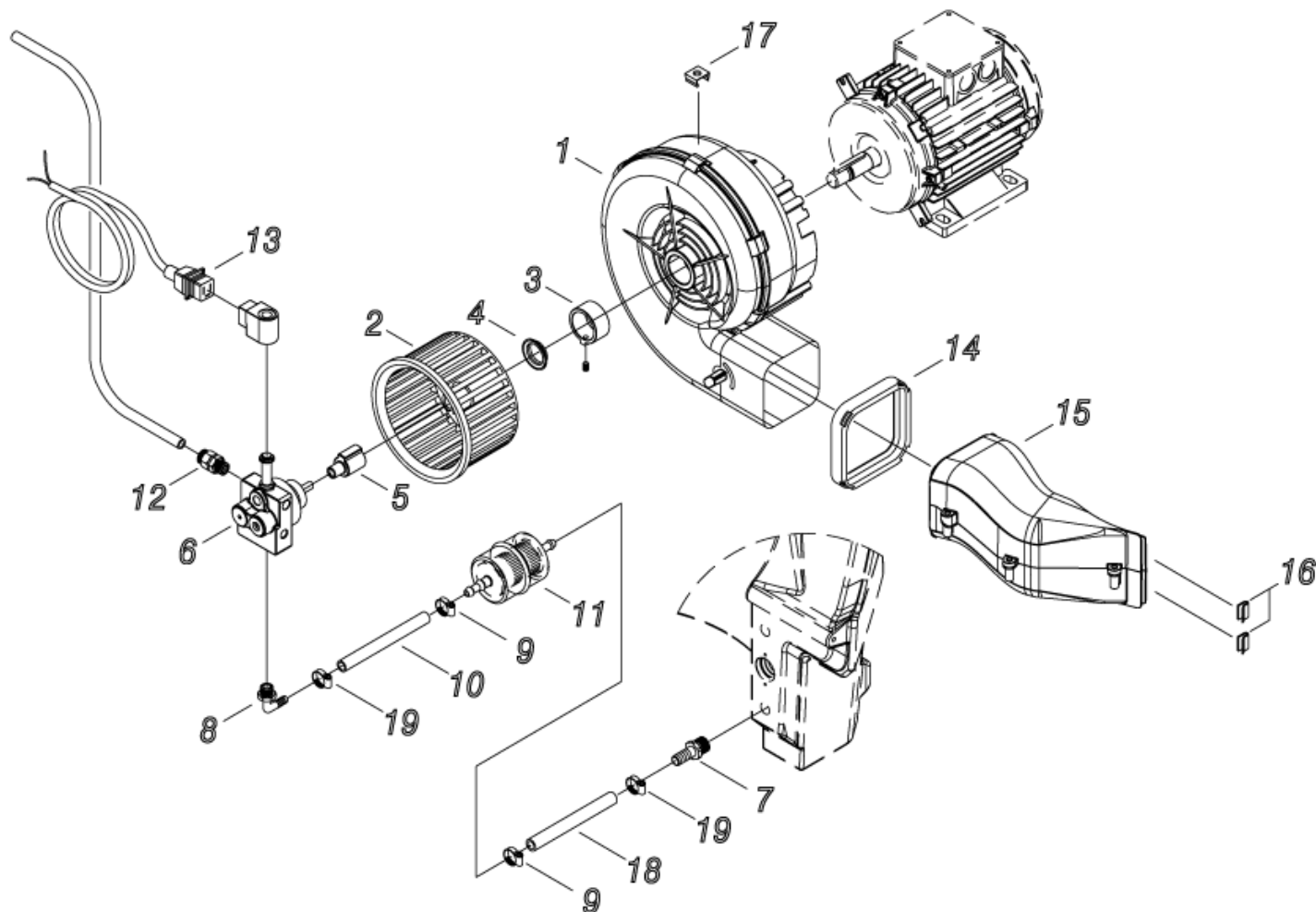
Ref.	K	Part N.	Customer Part N.	Description	Qty	Validity:		Price
						From	To	
0042		MPVR40751		TRIGGER H28/4W	1,00			--
0043		LAFN40713		BRACKET PW-H28/4W BK.	1,00			--
0044		VTDD00492		NUT M 8 ZINC	1,00			--
0045		LAFN46067		SUPPORT L.60 P176	1,00			--
0046		LCPR40114		LANCE TURBO TPR-20+SF230 D.1,20	1,00			--



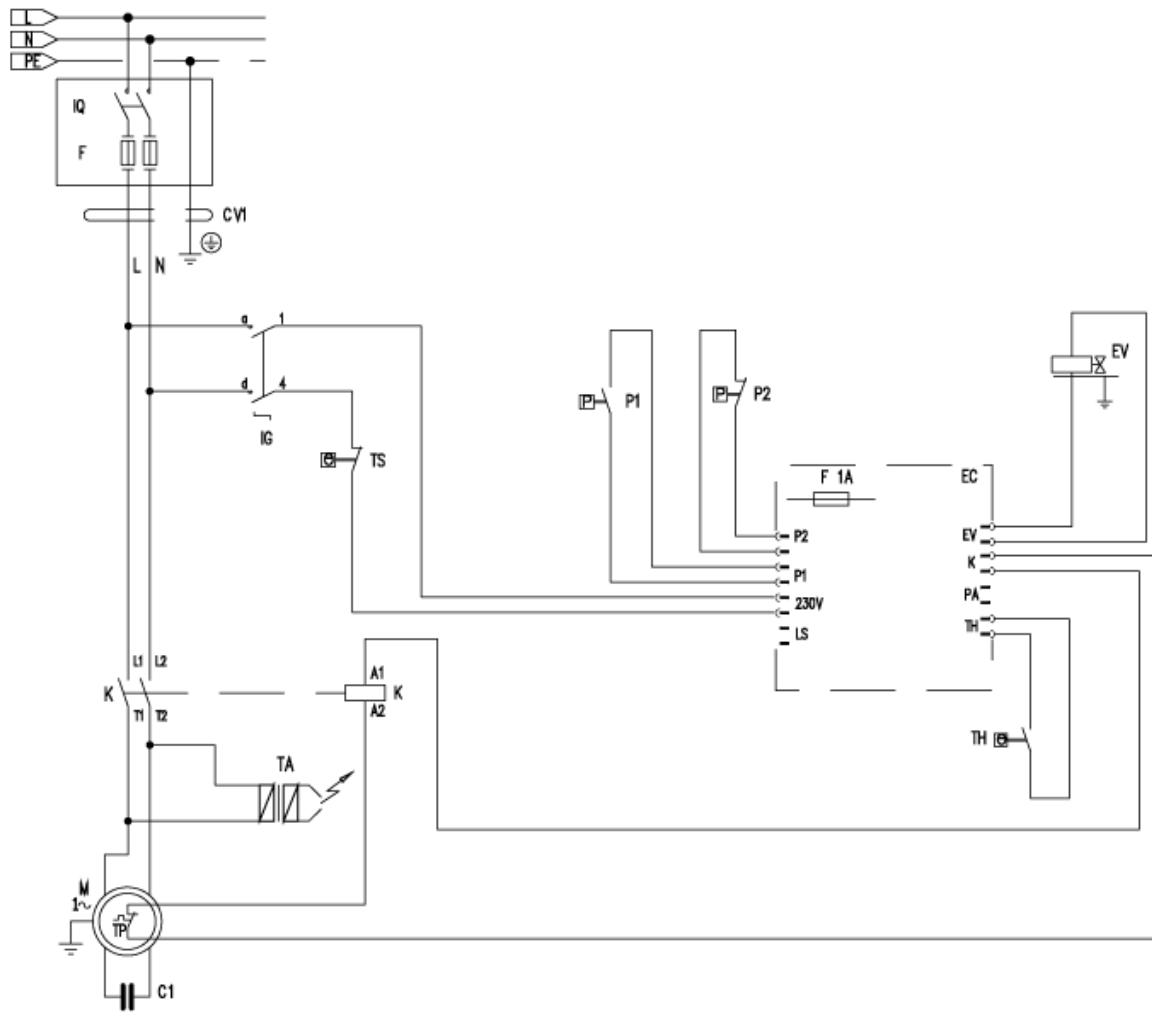
Ref.	K	Part N.	Customer Part N.	Description	Qty	Validity: From	To	Price
0001		MOMO40044		1PH MOTOR H35 HP 2,5 230-50 2P E-k	1,00			--
0002		RCDS87610		NIPPLE 3/4 - 1/2 CB D.13.0	1,00			--
0003		TBBP40084		L.P. HOSE L=880 3/4F 90° -3/4M 0°	1,00			--
0004		FTDT12702		FILTER PA	1,00			--
0005		RCVR29600		SOCKET PTC 3/4 F	1,00			--
0006		RCVR29602		CONNECTOR D. 1/2"-5/8" PTC	1,00			--
0007		TBAP40163		TUBE 1/4 RACC L=610 R1 3/8F-F	1,00			--
0008		FSVR40008		CLAMP D. 13.5 CLIC	1,00			--
0009		TBBP00051		DETERGENT HOSE D. 6-12	1,50			--
0010		MFVR40062		CONNECTOR PW-H28 AL. INL.	1,00			--
0011		LAFN37625		PLUG "U" T-STOP PRM INX	2,00			--
0012		LAFN87846		PLUG "U" P191 INX	2,00			--
0013		RCDS87759		SMALL PISTON V.SC. P191 OT.	1,00			--
0014		MLML87845		SPRING D. 7.8 X21 D.2.0 INX	1,00			--
0015		MPVR87758		BUSHING V.SC. P191 POM	1,00		07/2015	--
0015		RCDS40214		BUSHING V.SC. P191/200 OT.	1,00	07/2015		--
0016		VTRS00516		WASHER D. 5 INX	1,00			--
0017		GUGO37529		O-RING D. 5.23 X 2.62 NBR 70SH	1,00			--
0018		GUGO25527		O-RING D. 14 X 3 NBR 70SH	1,00			--
0019		RCDS87757		VALVE TAP P191 OT.	1,00			--
0020		MFVR40063		CONNECTOR PW-H28 AL. OUT.	1,00			--
0021		RCDS40210		CONNECTOR L= 58 2X3/8M CN. ZC.	1,00			--
0022		RCIN03753		MALE COUPLING M22-3/8 M-FA	1,00			--
0023		GUGO27030		O-RING D. 6 X 3 VIT 70SH	1,00			--
0024		RCDS40211		SUMP PW-H28 D.15 OT.	1,00			--
0026		FTDT04648		FILTER PG. D.6 PLS	1,00			--
0027		VTRS40025		WASHER D. 6.6X11.75X2 OT.	1,00			--
0028		PPAP40083		PUMP RCS 8.17 DX B	1,00			--
0028		PVVR40183		CAP AR RC C/F. 1/8F+OR	1,00	11/2015		--
0029		VVAZ40066		VALVE VRZ-RC +TSS L.90 SI	1,00			--
0030		EIDT40013		EJECTOR 3/8-3/8 M/M D.1.8 MV200	1,00		06/2015	--
0030		EIDT40014		EJECTOR 3/8-3/8 M/M D.1.6 MV200	1,00	07/2015		--
0031		RCDS40213		CONNECTOR G3/8 F MV200 ZC	1,00			--
0032		GUGO28927		O-RING D. 9.13 X 2.62 NBR 70SH	1,00			--



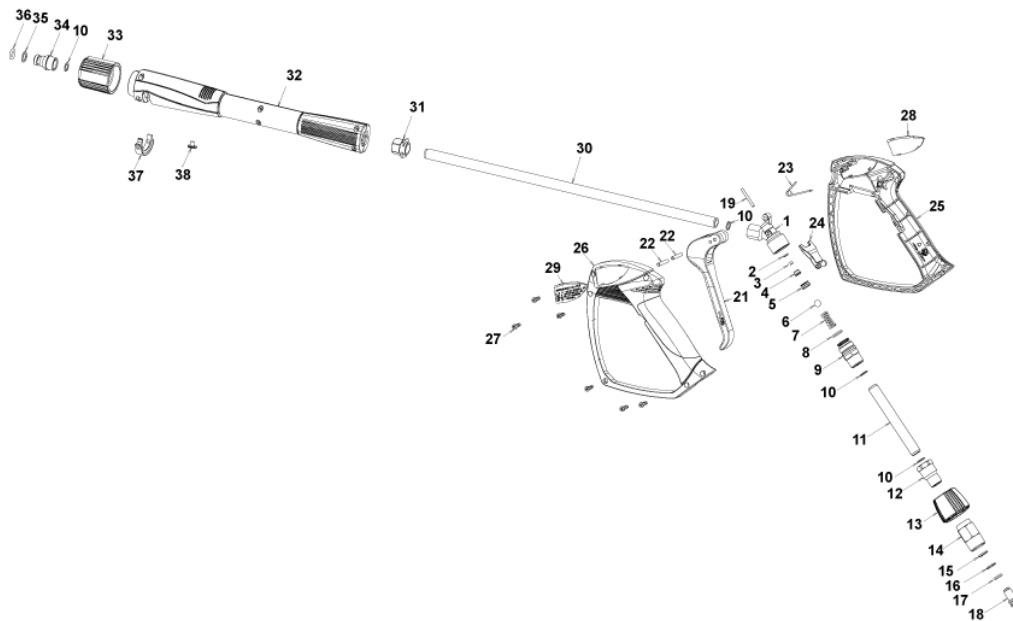
Ref.	K	Part N.	Customer Part N.	Description	Qty	Validity: From To	Price
0001		RCDS40208		RING NUT M 27 X 1,5 ZC	2,00		--
0002		GUGO40059		O-RING D. 16 X 4 VIT 70SH	2,00		--
0003		GUVR21021		ANTI-EXTR.RING D. 21 X17 TEF.	2,00		--
0004		LAFN48448		BOILER BOTTOM KSM 2V. ZN	1,00		--
0005		ITTE48373		BOTTOM KSM C.TE	1,00		--
0006		LAFN20108		RING D.298 KSM	1,00		--
0007		TBCO40061		DIESEL HOSE PW-H28/5.5 D. 4 IX	1,00		--
0008		LAFN48368		BAND KSM 2V. INX	1,00		--
0009		MECV35334		CABLE A.T. 9,8-23KOHM/M L= 400P	2,00		--
0010		LAGR40031		DOUBLE COIL M27X1.5 H28 26MT. SP.2.3	1,00		--
0011		LAFN40575		INT. CYLINDER MPU-26 CP.INX	1,00		--
0012		LAFN40576		EXT. CYLINDER MPU-26 INX	1,00		--
0013		LAFN40711		BOILER COVER SIMPU.150 INX	1,00		--
0014		LAFN40580		BOILER COVER SEMPUR INX	1,00		--
0015		MECB34463		CABLE BT L=800 SP.	1,00		--
0016		GUVR25775		GASKET D. 105/88 X 3	1,00		--
0017		LAFN20055		NOSEPIECE KSM	1,00		--
0018		LAFN30294		BAFFLE KSM/AGN	1,00		--
0019		UGBR18630		BURNER NOZZLE 0.75 45 A	1,00		--
0020		MFVR88612		ELECTR.HOLDER KSM 1/8CN.	1,00		--
0021		RCVR08954		ELBOW 1/8"-4 B5	1,00		--
0022		VTRS07941		WASHER D.11.3X15X1.5 RM	2,00		--
0023		MECA18232		ELECTRODE L=101.5 KSM	2,00		--
0024		LAFN20123		PLATE KSM INX	1,00		--



Ref.	K	Part N.	Customer Part N.	Description	Qty	Validity:		Price
						From	To	
0001		MPVR26987		SCROLL KSM CPL.	1,00			--
0002		VEVR20128		IMPELLER KSM D.140 29P. PA66	1,00			--
0003		RCDS20417		BUSHING KSM	1,00			--
0004		LAFN21890		BUSHING D. 25	1,00			--
0005		FGGT49223		JOINT KSM/P190 2V. PP	1,00			--
0006		PPGS40011		FUEL PUMP DNF BFA 01R3L1	1,00			--
0007		RCVR40113		HOSE FITTING 1/8 M D. 5- 7 NIK	1,00			--
0008		RCVR72873		HOSE FITTING "L" 1/4M - D.7 OT.NK	1,00			--
0009		FSVR11197		CLAMP D.I. 11 13315	2,00			--
0010		TBCO06945		L.P. HOSE D. 6-12 10BAR C.PRESS	0,11			--
0011		FTCO10912		FILTER FB 13/TA NYL.	1,00			--
0012		RCVR14014		BI-CONE CONNEC.DTT 1/8"M B1 D. 2/ 4 NIK	1,00			--
0013		MECB41542		CABLE DLT L= 700	1,00			--
0014		GUGO20124		GASKET KSM	1,00			--
0015		MPVR40697		CONVEYOR KM-H28/MPU. 2PZ.	1,00			--
0016		MPVR21415		CLIP KSM	2,00			--
0017		VTVR20127		CLIP KSM	5,00			--
0018		TBCO06945		L.P. HOSE D. 6-12 10BAR C.PRESS	0,60			--
0019		FSVR00427		CLAMP D. 12 CLIC 66-110	2,00			--

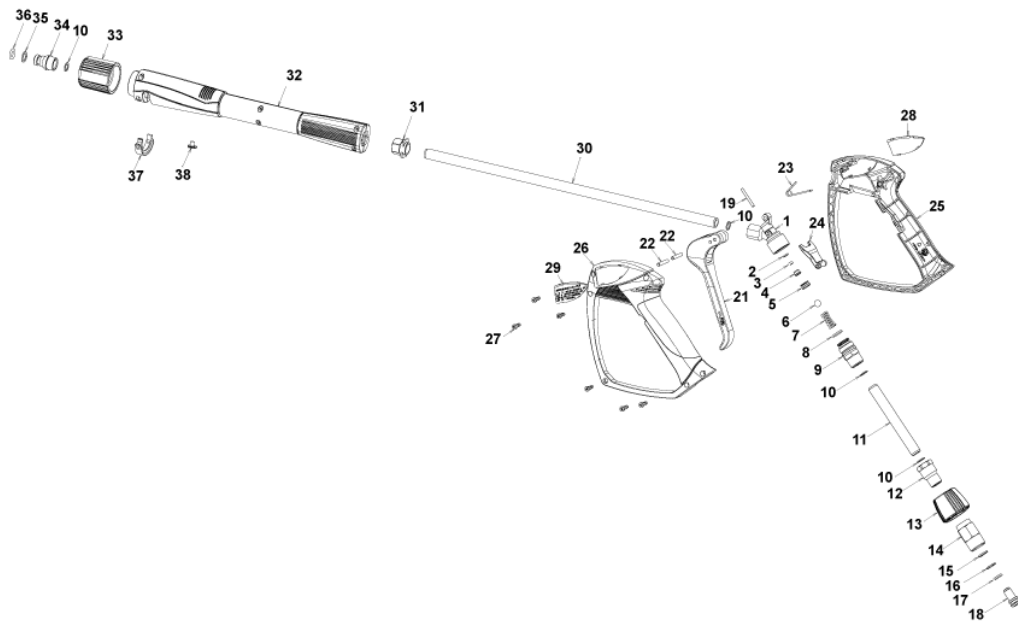


Ref.	K	Part N.	Customer Part N.	Description	Qty	Validity:		Price
						From	To	
C		MECO40011		CAPACITOR 55 MF 450V +M8 50X 95	1,00			--
K		METT40012		CONTACTOR SIE 3RT 2017-1AP01 230V	1,00			--
EC		MECE40028		PCB PW-H28 T-ST PREMIUM	1,00			--
EV		MEBE43705		COIL DNF 220-50	1,00			--
IG		MECI40033		SWITCH GTK BP. 0-1 16(8)A	1,00			--
P1		MEPF40014		PRESSURE SWITCHPR 5 1/8M 25BAR RD.	1,00	11/2015		--
TA		METR88630		TRANSFORMER 23/240V-5/60HZ 2X26KV TR.	1,00			--
TH		METK40014		THERMOSTAT 40-154° L=1200 NT/133	1,00			--
TS		METK40007		THERMOSTAT 65°C NSP-040 PT RIPR.	1,00			--
CV1		MECB27734		CABLE H07 RNF 3X1.5 L=6.500	1,00			--

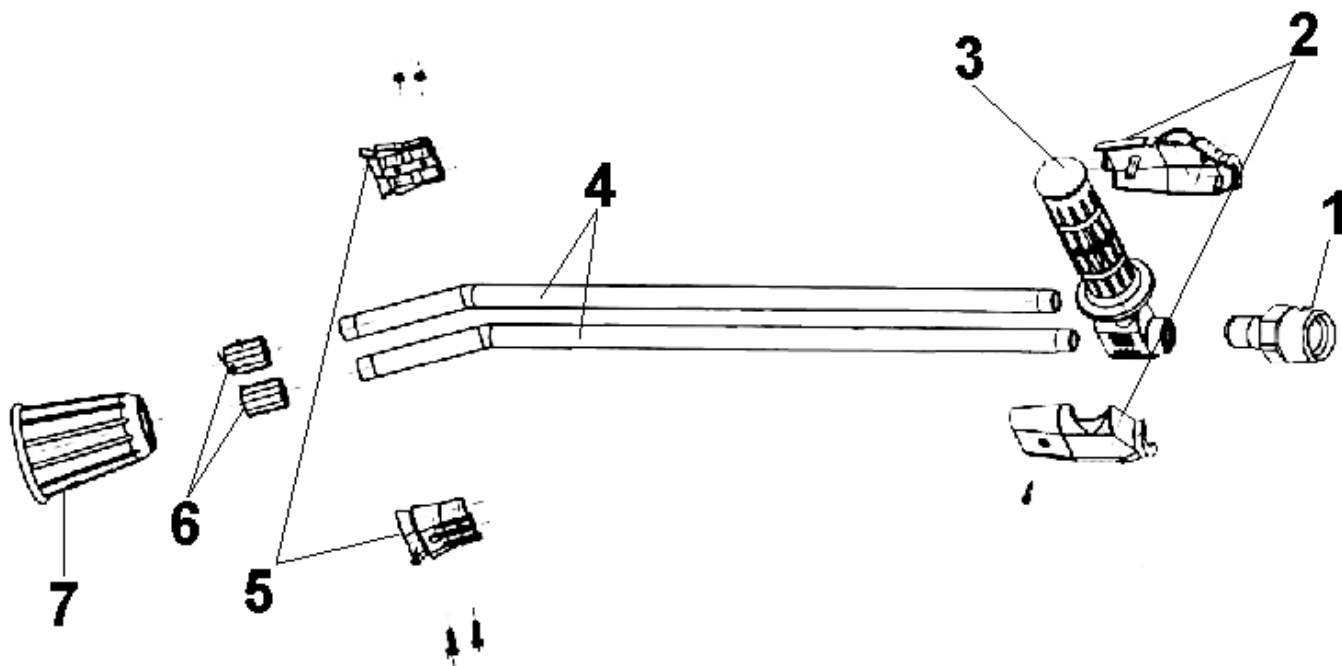


Ref.	K	Part N.	Customer Part N.	Description	Qty	Validity:		Price
						From	To	
0001		PVVR40381		GUN BODY G 5100 G1/4F	1,00			--
0002	S	GUVR40074		ANTI-EXTR.RING D. 3 X 7.4X1.3	1,00			--
0003	S	GUGO21835		O-RING D. 2.84 X 2.62 VIT. 80SH	1,00			--
0004		PVVR40382		PISTON GUIDE G 5100	1,00			--
0005	S	PVVR40112		BALL SEAT G 5000	1,00			--
0006	S	SFVR27026		BALL D.11/32" INX	1,00			--
0007		MLML40016		SPRING D. 9.4 x21.5x1.6 G5000	1,00			--
0008		GUGO12322		O-RING D. 14 X 1.78 NBR 90SH	1,00			--
0009		PVVR40383		CONNECTOR COLL.G5100 1/4F	1,00			--
0010		VTRS40017		WASHER D. 8,2X11,4X1,00 AL	4,00			--
0011		PVVR40384		TUBE G 1/4" L.105	1,00			--
0012		RCIN40022		CONNECTOR SWIV G5100 1/4F	1,00			--
0013		MPVR40486		RING NUT G 5100 SW. GR.	1,00			--
0014		RCIN40021		JOINT SWIV 5100 M22	1,00			--
0015	S	GUVR40075		ANTI-EXTR.RING D. 10 X14X1.5	1,00			--
0016	S	GUVR40076		ANTI-EXTR.RING D. 11.2X14X1.2	1,00			--
0017	S	GUGO15295		O-RING D. 10.82 X 1.78 VIT 80SH	1,00			--
0018		PVVR40386		SCREW SW. G 5100	1,00			--
0019		PVVR40387		SMALL PISTON G 5100	1,00			--
0021		MPVR40487		TRIGGER G 5100-SW	1,00			--
0022		VTVR40047		PLUG D. 4X29	2,00			--
0023		MLML40029		SPRING G 5100	1,00			--
0024		MPVR40488		SAFETY-DEVICE G 5100-SW	1,00			--
0025		MPVR40489		SHELL G 5100-SW DX	1,00			--
0026		MPVR40490		SHELL G 5100-SW SX	1,00			--
0027		VTVT40043		SCREW AF 4X 14 HILO ZN.N	6,00			--
0028		MPVR40491		PLATE G 5100 GR.DX	1,00			--
0029		MPVR40492		PLATE G 5100 GR.SX	1,00			--
0030		LCPR40086		TUBE 1/4 L=420 ZC. 0°	1,00			--
0031		MPVR40493		CONNECTOR G 5100-SW	1,00			--
0032		MPVR40494		PROTECTION P 420 C/AN.	1,00			--
0033		PVVR40119		CONNECTION M22X1,5 IRV G5000	1,00			--
0034		RCIN40009		GUDGEON G 1/4 F IRV G5000	1,00			--
0035		GUVR40034		ANTI-EXTR.RING D. 10 X14	1,00			--
0036		GUGO01946		O-RING D. 9.13 X 2.62 VIT 70SH	1,00			--
0037		MPVR40495		CAP G 5100 REM.	1,00			--
0038		MPVR40198		CAP G 5000	1,00			--

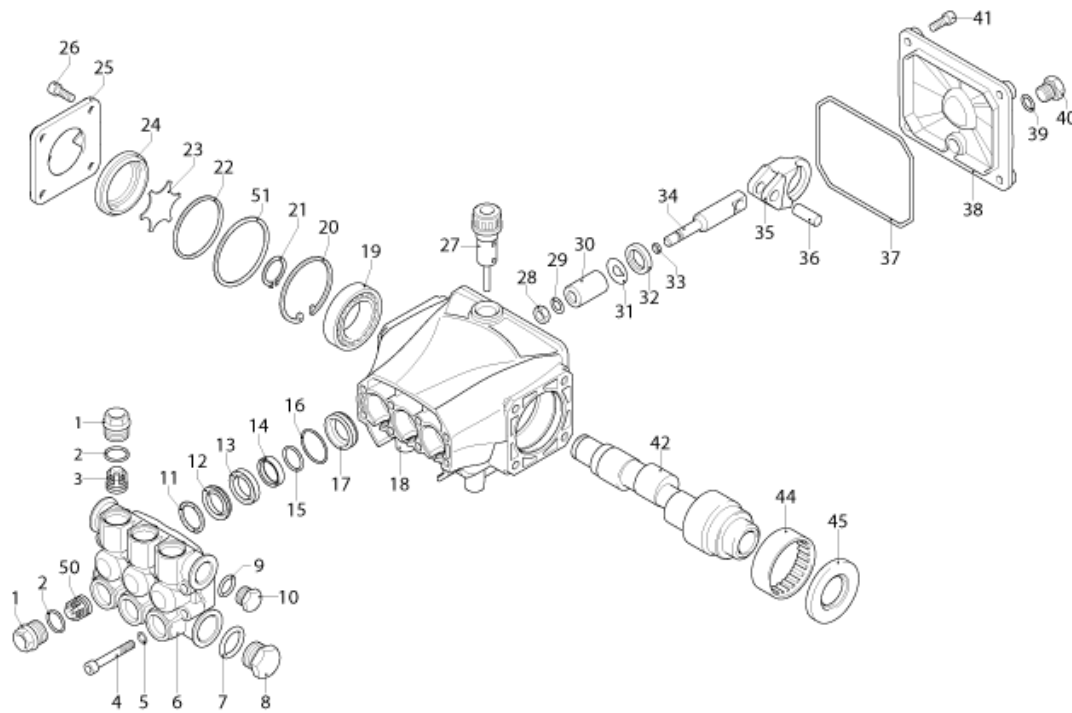




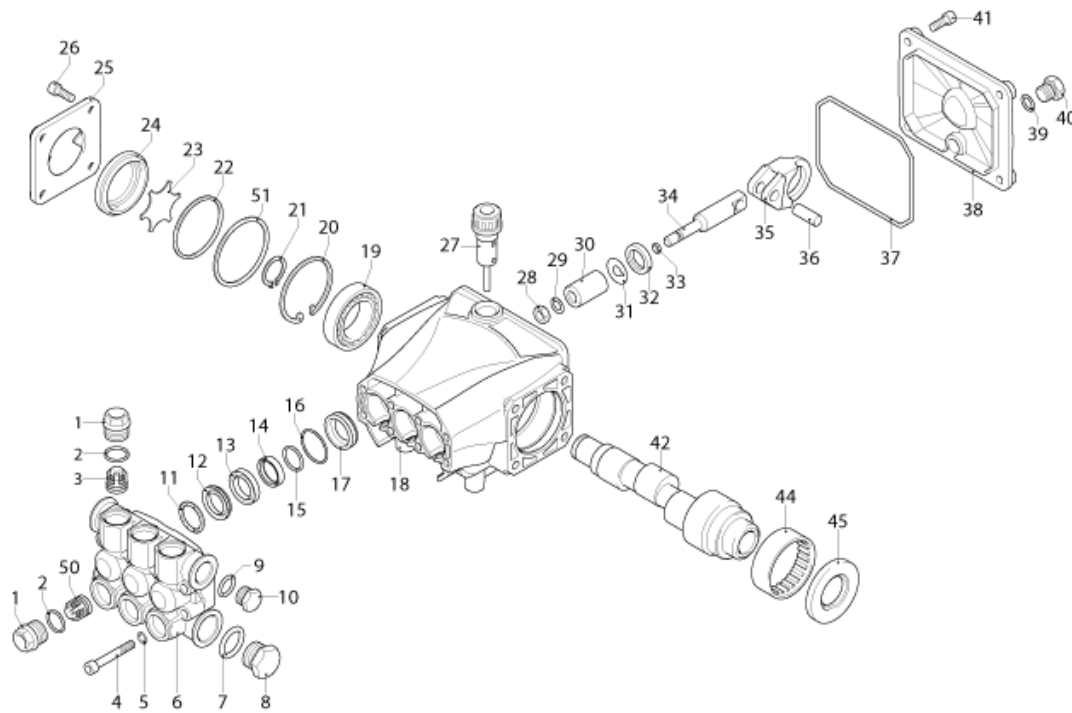
Ref. Part N.	Cust. Part N.	Description	Reference	Price
KTRI40242		KIT P 26- 25 G 5100	0002 0003 0005 0006	--
KTRI40243		KIT P 26- 25 SWIVEL G 5100	0015 0016 0017	--



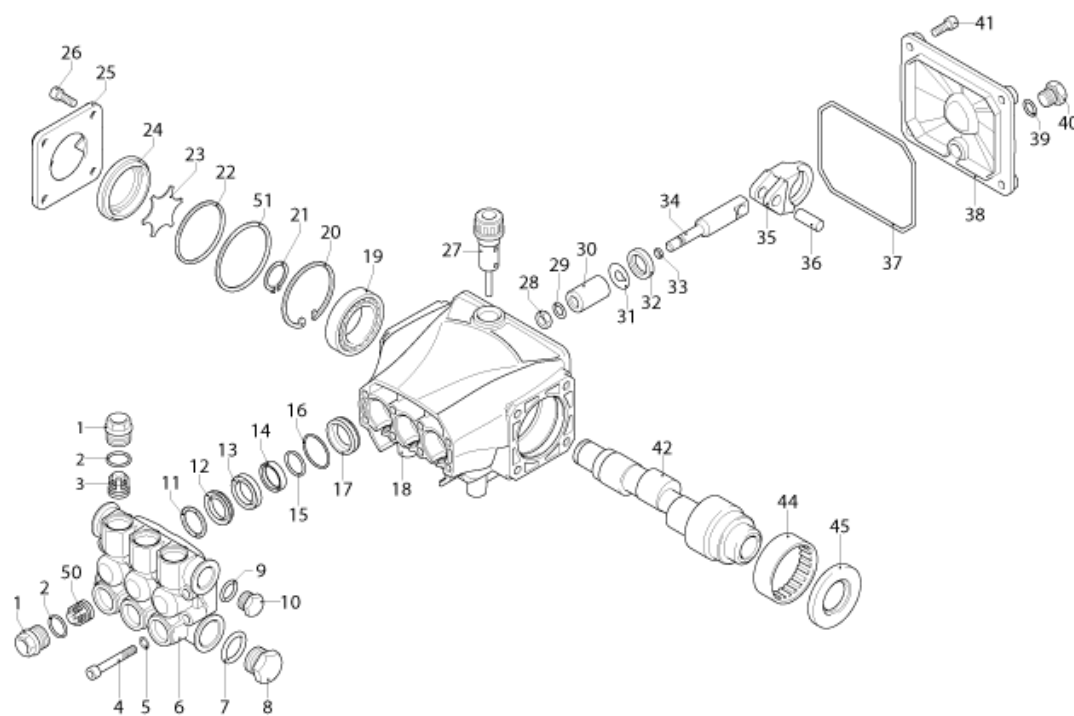
Ref. K	Part N.	Customer Part N.	Description	Qty	Validity:		Price
					From	To	
0001	PVVR45296		COUPLING G 1/4M -M22 M +PR.PLS	1,00			--
0002	MPVR45214		PROTECTION TB.1/4 MTM	1,00			--
0003	RCGR45737		TAP 1/8 F LD MTM	1,00			--
0004	LCPR45740		TUBE 1/8 L=660 INOX MTM	2,00			--
0005	MPVR45001		SHELL LD MTM	1,00			--
0006	RCVR45741		NOZZLE HOLDER 1/4-1/8 F MTM	2,00			--
0007	PVVR43810		PROTECTION L.D. MTM	1,00			--



Ref.	K	Part N.	Customer Part N.	Description	Qty	Validity:		Price
						From	To	
0001		PVVR40120		CAP AR RC	6,00			--
0002		GUGO03505		O-RING D. 15.6 X 1.78 NBR 70SH	6,00			--
0003	S	VVAM40002		VALVE UNIT RC	3,00	08/2012		--
0003	S	VVAM40002		VALVE UNIT RC	6,00		07/2012	--
0004		VTVT06236		SCREW TCEI 6X40 UNI5931	8,00			--
0005		VTRS00503		WASHER D. 6 TE UNI 6798	8,00			--
0006		MFVR40026		HEAD AR RCS OT.	1,00			--
0007		GUGO19245		O-RING D. 17.5 X 2 NBR 70SH	1,00			--
0008		PVVR40121		CAP 1/2 M RC	1,00			--
0009		GUGO09720		O-RING D. 14 X 1.78 NBR 70SH	1,00			--
0010		PVVR40099		CAP 3/8 M HRM	1,00			--
0011	S	PVVR40158		HEAD RING D. 15 RCS	3,00			--
0012	S	GUVR40028		PACKING D. 15 XJS	3,00			--
0013		PVVR40159		INTERMED. RING D. 15 RCS	3,00			--
0014	S	GUVR40041		PACKING D. 15 RCS L.P.	3,00			--
0015	S	GUVR40042		ANTI-EXTR.RING D.15	3,00			--
0016	S	GUGO08182		O-RING D. 21.91 X 1.78 NBR 70SH	3,00			--
0017		PVVR40160		PACKING RETAIN.D. 15 RCS	3,00			--
0018		MFVR40027		PUMP CRANKCASE AR RCS	1,00			--
0019		CUVR28336		BALL BEARING 6304	1,00			--
0020		VTAE09661		CIRCLIP D. 52 UNI 7437	1,00			--
0021		VTAE06193		CIRCLIP D. 20 UNI 7435	1,00			--
0022		GUGO02561		O-RING D. 47.3 X 2.62 NBR 70SH	1,00			--
0023		PVVR40125		DISC RC	1,00			--
0024		PVVR40126		OIL INDICATOR RC	1,00			--
0025		MFVR40021		CRANKCASE COVER AR RC LT.	1,00			--
0026		VTVT01531		SCREW TE 6X 16 UNI 5739	4,00			--
0027		PVVR19231		OIL CAP XTS	1,00		03/2014	--
0027		PVVR40436		OIL CAP RC	1,00	04/2014		--
0028		VTDD00483		NUT M 8 ZIN UNI 5588	3,00			--
0029		VTRS19394		WASHER D. 8X13X0.5	3,00			--
0030	S	PIVR19232		PISTON D. 15 XTS	3,00			--
0031		PVVR19233		DISC XTS	3,00			--
0032	S	GUGO09690		OIL SEAL 15X 24X 5 NBR70	3,00			--
0033		GUGO08071		O-RING D. 4.48 X 1.78 NBR 70SH	3,00			--
0034		PVVR40127		PISTON GUIDE RC	3,00			--
0035		BLVR40001		CONNECTING ROD RC	3,00			--
0036		PVVR40128		GUDGEON D. 9X23 RC	3,00			--
0037		GUGO18695		O-RING D. 101.27 X 2.62 NBR 70SH	1,00			--



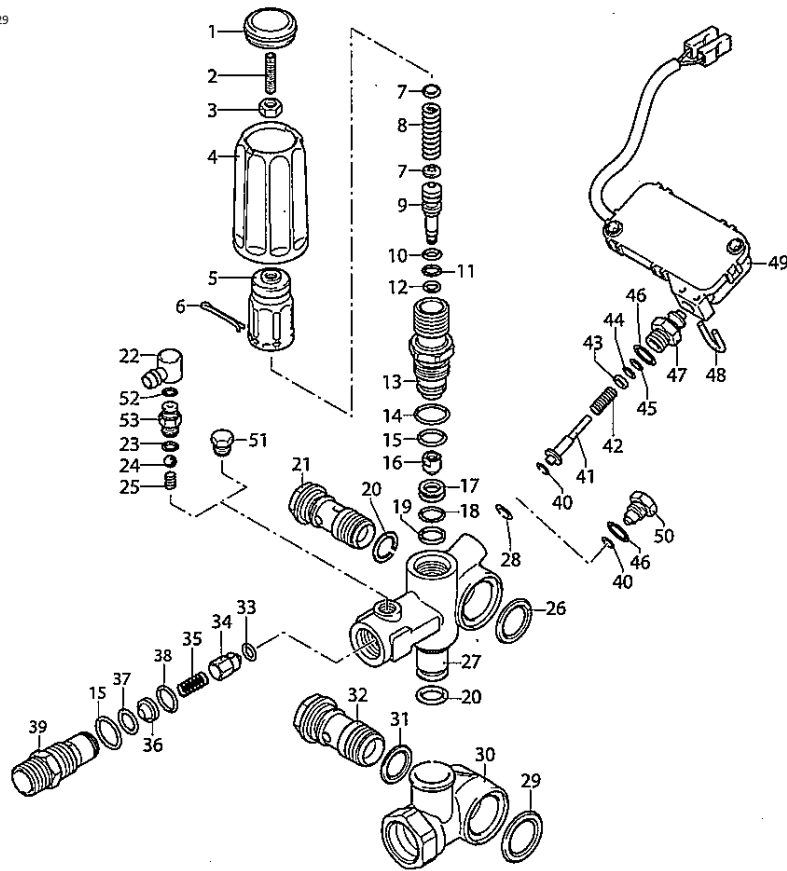
Ref.	K	Part N.	Customer Part N.	Description	Qty	Validity:		Price
						From	To	
0038		MFVR40022		CRANKASE COVER AR RC	1,00			--
0039		GUGO01036		O-RING D. 10.82 X 1.78 NBR 70SH	1,00			--
0040		PVVR40129		CAP 1/4 M RC	1,00			--
0041		VTVT09913		SCREW TCEI 6X16 UNI5931	4,00			--
0042		ALMO40028		SHAFT AR RCS 8LT VRS. B	1,00			--
0044		CUVR23636		ROLLER BEARING HK 4516	1,00			--
0045		GUGO23638		OIL SEAL 40X 52X 7 NBR70	1,00			--
0050	S	VVAM40007		VALVE UNIT RC ASP. BK	3,00	08/2012		--
0051		PVVR40437		RING D. 51.8 X0.5	1,00	04/2014		--



Ref. Part N.	Cust. Part N.	Description	Reference	Price
KTRI40092		KIT P 15-2186 RC	0003	--
KTRI40096		KIT P 15-42918 RC	0032 0045	--
KTRI40139		KIT P 15-42920 D.15 RCS	0030	--
KTRI40140		KIT P 15-42921 D.15 RCS	0012 0014 0015 0016	--
KTRI40141		KIT P 15-2191 D.15 RCS	0011	--
KTRI40207		KIT P 15-42914 RC 3+3 BL./WH.	0003 0050	--

# VRZ TSS + ID

KIT F = pos. 10 11 14 15 18 19 20 23 28 29  
31 33 37 38 40 44 45 46

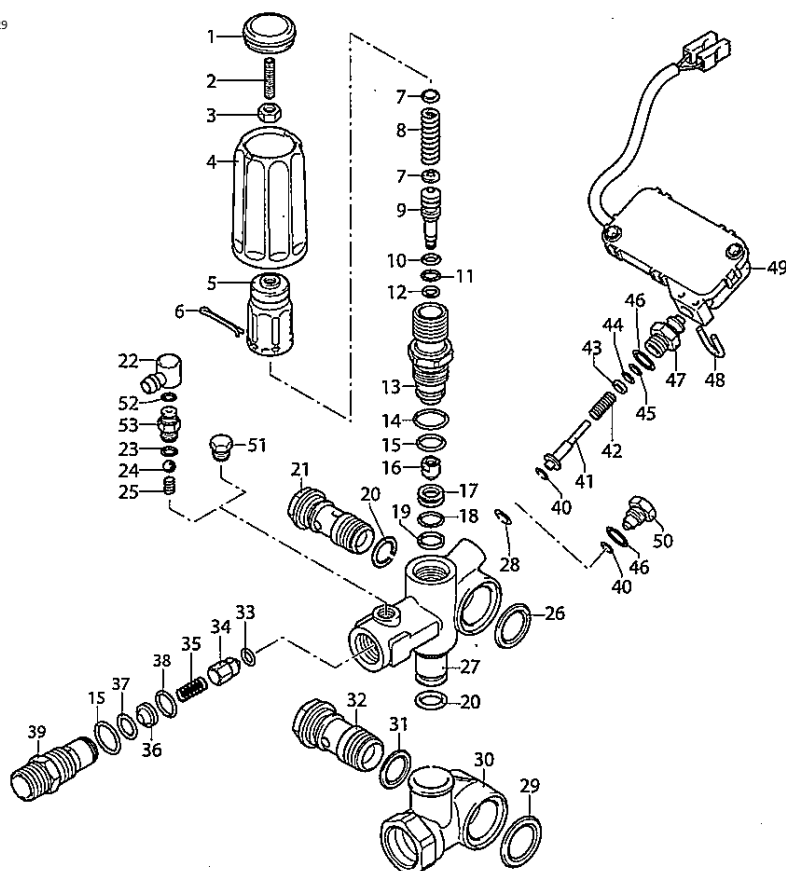


UN\_00\_4104-FR

Ref.	K	Part N.	Customer Part N.	Description	Qty	Validity: From To	Price
0001		PVVR40241		CAP VRC-BM	1,00		--
0002		VTVT40051		SCREW STEI M 6X25	1,00		--
0003		PVVR40292		NUT AR	1,00		--
0004		PVVR40418		KNOB VRZ	1,00		--
0005		PVVR40236		KNOB M.MT/4B	1,00		--
0006		VTVR40025		SPLIT PIN D. 2,6X15	1,00		--
0007		PVVR40067		SPRING PLATE AR XJS	2,00		--
0008		PVVR40419		SPRING VALVOLA VRZ	1,00		--
0009		PVVR40420		PISTON VRC-BM	1,00		--
0010	S	GUGO40046		O-RING D. 6.02 X 2.62 NBR 90SH	1,00		--
0011	S	GUGO12489		O-RING D. 6.07 X 1.78 NBR 70SH	1,00		--
0012		GUVR40072		ANTI-EXTR.RING D. 6.5X 9.4	1,00		--
0013		PVVR40421		PISTON GUIDE VRZ	1,00		--
0014	S	GUGO03505		O-RING D. 15.6 X 1.78 NBR 70SH	1,00		--
0015	S	GUGO11652		O-RING D. 12.42 X 1.78 NBR 70SH	2,00		--
0016		PVVR40423		COUPLING AR VRZ	1,00		--
0017		PVVR40424		VALVE SEAT AR VRZ	1,00		--
0018	S	GUGO19194		O-RING D. 11.11 X 1.78 NBR 70SH	1,00		--
0019	S	GUVR40085		ANTI-EXTR.RING D. 14 X11,8X1	1,00		--
0020	S	GUGO01047		O-RING D. 11.91 X 2.62 NBR 70SH	2,00		--
0021		RCDS40068		SCREW G 3/8 M.MATIC 4/B OT.	1,00		--
0026		GUGO40057		O-RING D. 20.29 X 2.62-NBR 70SH	1,00		--
0027		PVVR40427		VALVE BODY VRZ	1,00		--
0028	S	GUGO40031		O-RING D. 3.39 X 1.78 NBR 70SH	1,00		--
0029	S	GUGO76542		O-RING D. 23.47 X 2.62 NBR 70SH	1,00		--
0030		PVVR40428		BODY VALVOLA VRZ	1,00		--
0031	S	GUGO01058		O-RING D. 17.17 X 1.78 NBR 70SH	1,00		--
0032		RCDS40070		SCREW G 1/2 M.MATIC 4/B	1,00		--
0033	S	GUGO12494		O-RING D. 4 X 2.5 -NBR 70SH	1,00		--
0034		PVVR40422		COUPLING AR VRZ	1,00		--
0035		PVVR40252		SPRING VRC-BM	1,00		--
0039		RCDS40192		NIPPLE G 3/8 VRZ	1,00		--
0040	S	GUVR40084		ANTI-EXTR.RING PARBAK 8-007	1,00		01/2016
0040	S	GUVR40094		ANTI-EXTR.RING D. 4.2X 7 X1 PTFE+BZ	1,00	02/2016	--
0041		PVVR40425		CONTOL ROD AR TSS VRZ	1,00		01/2016
0041	S	PVVR40470		CONTOL ROD AR TSS VRZ.Evo	1,00	02/2016	--
0042		PVVR40429		SPRING VALVOLA VRZ	1,00		--
0043		PVVR40430		WASHER VALVOLA VRZ	1,00		--
0044	S	GUGO19207		O-RING D. 1.78 X 1.78 NBR 70SH	1,00		--

# VRZ TSS + ID

KIT F = pos. 10 11 14 15 18 19 20 23 28 29  
31 33 37 38 40 44 45 46

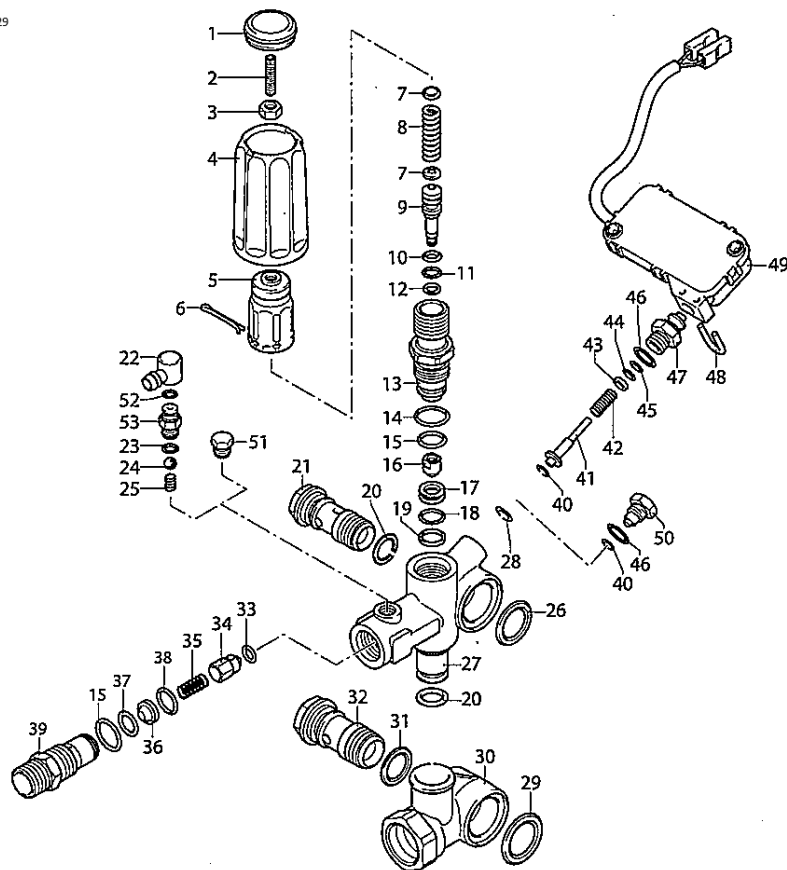


UN\_00\_4104-FR

Ref.	K	Part N.	Customer Part N.	Description	Qty	Validity:		Price
						From	To	
0045	S	GUVR40086		ANTI-EXTR.RING D. 4.9X 2 X1,3	1,00			--
0046	S	GUGO06988		O-RING D. 7.66 X 1.78 NBR 70SH	1,00			--
0047		PVVR40431		CONNECTOR VALVOLA VRZ	1,00			--
0048		LAFN40212		PLUG "U" AR TSS	1,00			--
0049		PVVR40433		PRESSURE SWITCHTTS VRZ marc. AB	1,00			--
0051		RCDS19214		CAP 1/8 M	1,00			--

# VRZ TSS + ID

KIT F = pos. 10 11 14 15 18 19 20 23 28 29  
31 33 37 38 40 44 45 46



UN\_00\_4104-FR

Ref. Part N.	Cust. Part N.	Description	Reference	Price
KTRI40394	KIT P	14-43234 VRZ.Evo	0028 0040 0041	--
F KTRI40293	KIT P	SET O-RING VALVOLA VRZ	0010 0011 0014 0015 0018 0019 0020 0023 0028 0029 0031 0033 0037 0038	--
			0040 0044 0045 0046	--